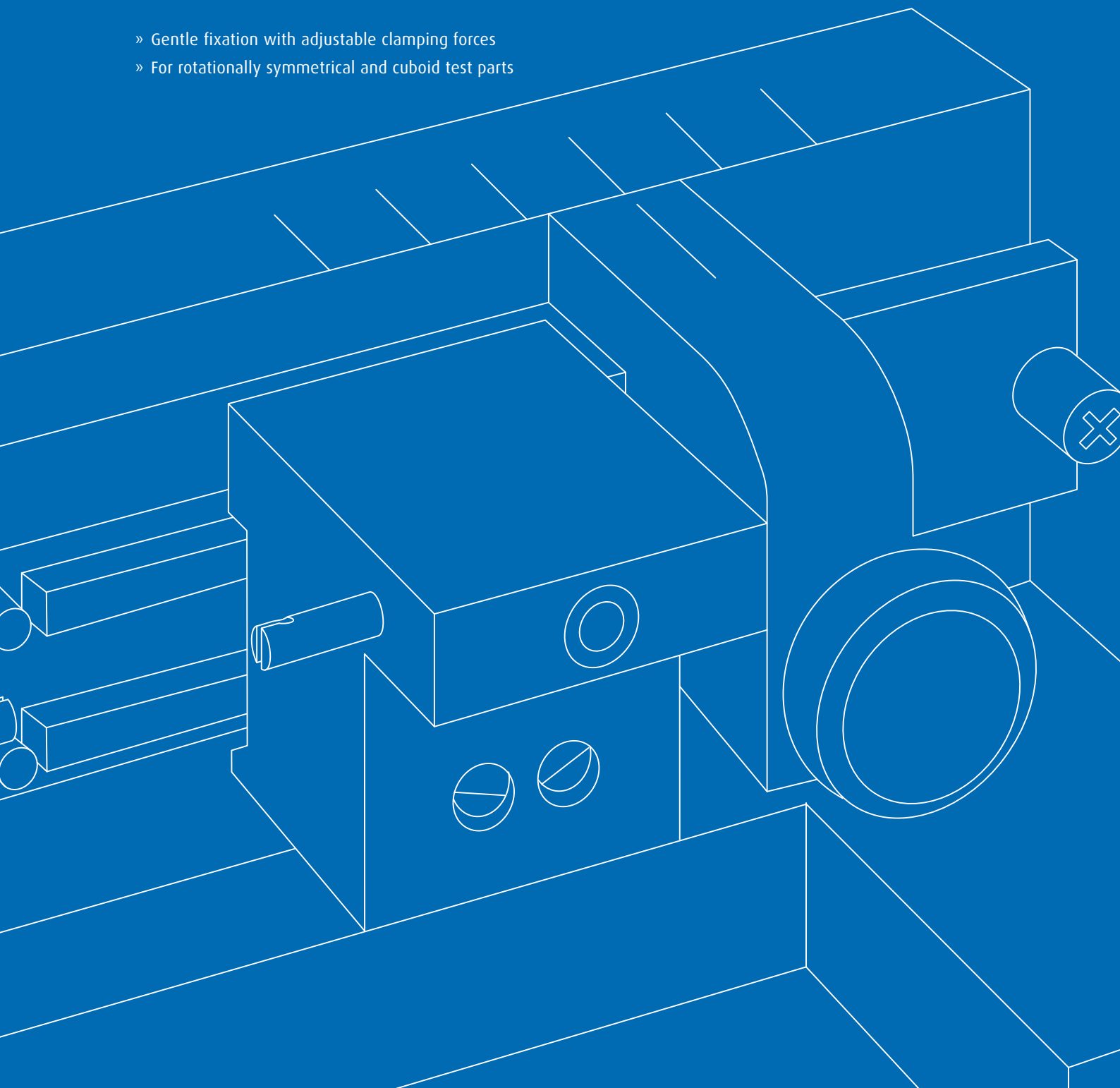


MICROFIX

***Clamping solutions
for micro parts from
0.3 mm to 10 mm***

- » Gentle fixation with adjustable clamping forces
- » For rotationally symmetrical and cuboid test parts



Clamping elements



Micro fixture for cubic parts

Page 300



Micro fixture "Prisma"

Page 300



Micro tailstock

Page 301

Micro fixture for cubic parts

Description

For holding cubic parts with constant and adjustable clamping force. The clamping force is generated by a slanting plane and can be adapted to specific requirements by adding ball weights. To ensure that test parts are held securely even by low clamping forces, the fixed jaw can be adapted using adjustable stops. The movable part of the fixture is also fitted with a pendulum jaw.



Application example



| Order No. | Clamping range | Length | Width | Height | Jaw width | Supplied with |
|-----------|----------------|--------|-------|--------|-----------|----------------|
| 398030 | < 0.3-10 | 85 | 60 | 30 | 6 | 10 steel balls |

Micro fixture "Prisma"

Description

For holding rotationally symmetrical test parts with a diameter of 0.5 mm to 6 mm or up to 10 mm with accessories. The holding force is adjustable and exerted by several micro springs.

Accessories

Interchangeable plates (398035) enabling the clamping range for rotationally symmetrical test parts to be increased to 5 mm to 10 mm.



Application example



| Order No. | Clamping range | Length | Width | Height | Jaw width |
|-----------|----------------|---------------------------------|-------|--------|-----------|
| 398032 | ∅ 0.5-6 | 85 | 60 | 32 | 10 |
| 398035 | ∅ 0.5-10 | 1 set of interchangeable plates | | | |

Micro tailstock

Description

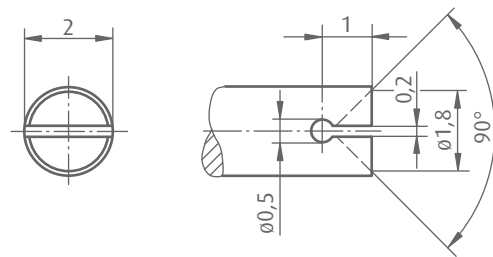
For holding rotationally symmetrical test parts. The test pieces can be measured along their whole length as they are mounted between female centres with measurement slits. With adjustable holding force. The clamping range can be freely adjusted up to a maximum of 25 mm.

Supplied with

Female centres (see diagram).

Accessories

60° male centres (398060).



| Order No. | Centre height | Length | Width | Height | Version | Fig. |
|-----------|---------------|--------|--------------------------------|--------|---------------------|------|
| 398052 | 37 | 90 | 60 | 40 | With mounting plate | 1 |
| 398060 | | | Ø2 x 60° male centres (1 pair) | | | |

