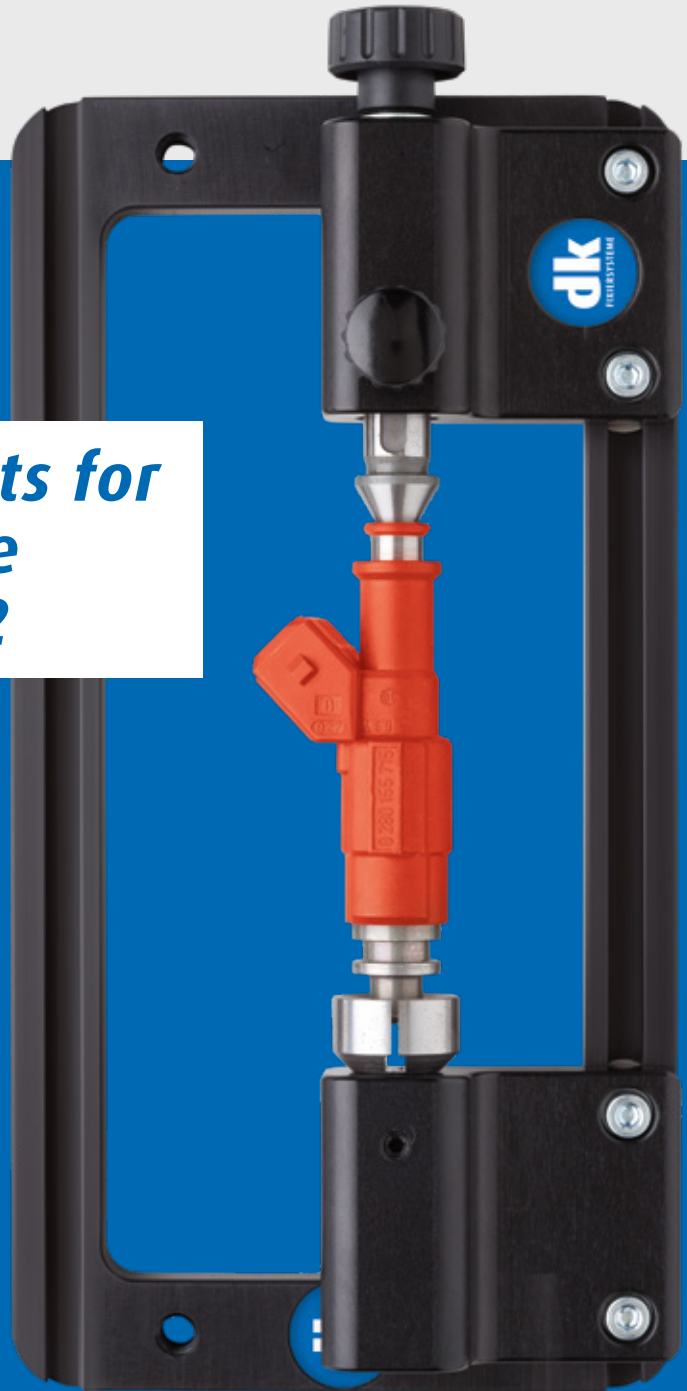


Fixturing systems

***Clamping device sets for
HEXAGON Optiv Line
Classic 322 and 432***



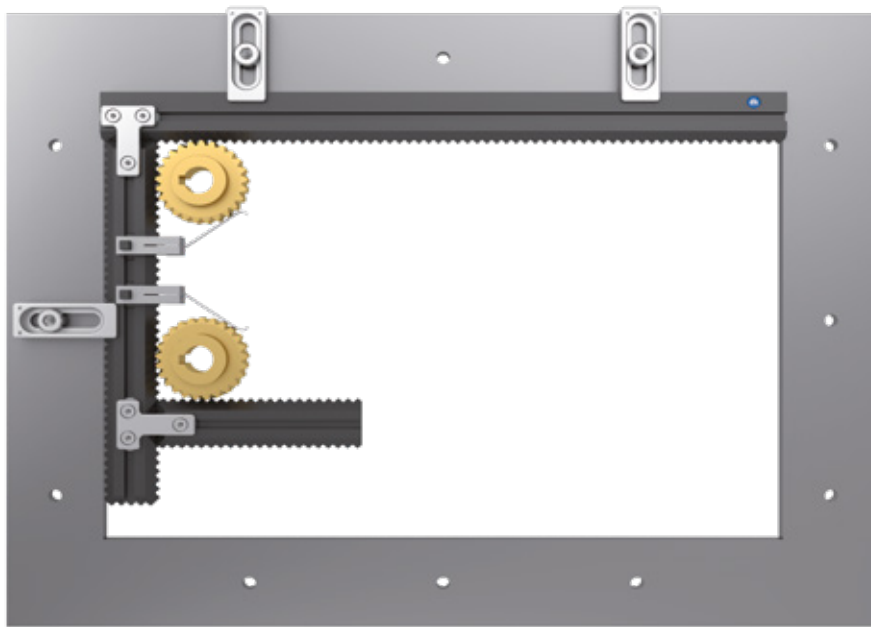
dk
FIXIERSYSTEME

Maximum modularity for optimum application flexibility

SCHIENENFIX - the fixating system for multi-sensor metrology equipment

Versatile system modules for optical metrology machines, multi-sensorial equipment, measuring projectors and measuring microscopes. The basis is a modular toothed rail system, which supports the fixating elements directly or via a quick-change pallet system. As an option, rigid or adjustable structural elements can be mounted in between to optimally position the test specimens in 3D space. The fine-toothed precision rails make objects with straight edges very easy to measure in transmitted light. The exchangeable pallets enable the set-up outside the measuring machine and the zero point support on the measuring device for a simple and fast measuring process, especially when used close to production.

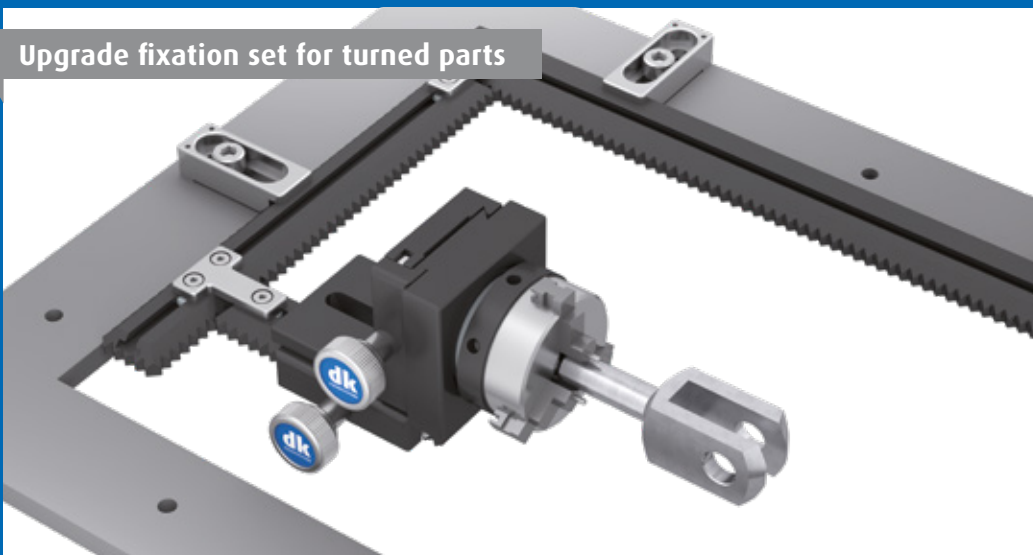
Basic rail set



Order number for
Optiv Classic 322:
269999_300

Order number for
Optiv Classic 432:
269999_400

Upgrade fixation set for turned parts



Order number for
Optiv Classic 322 and 432:
269999_D02

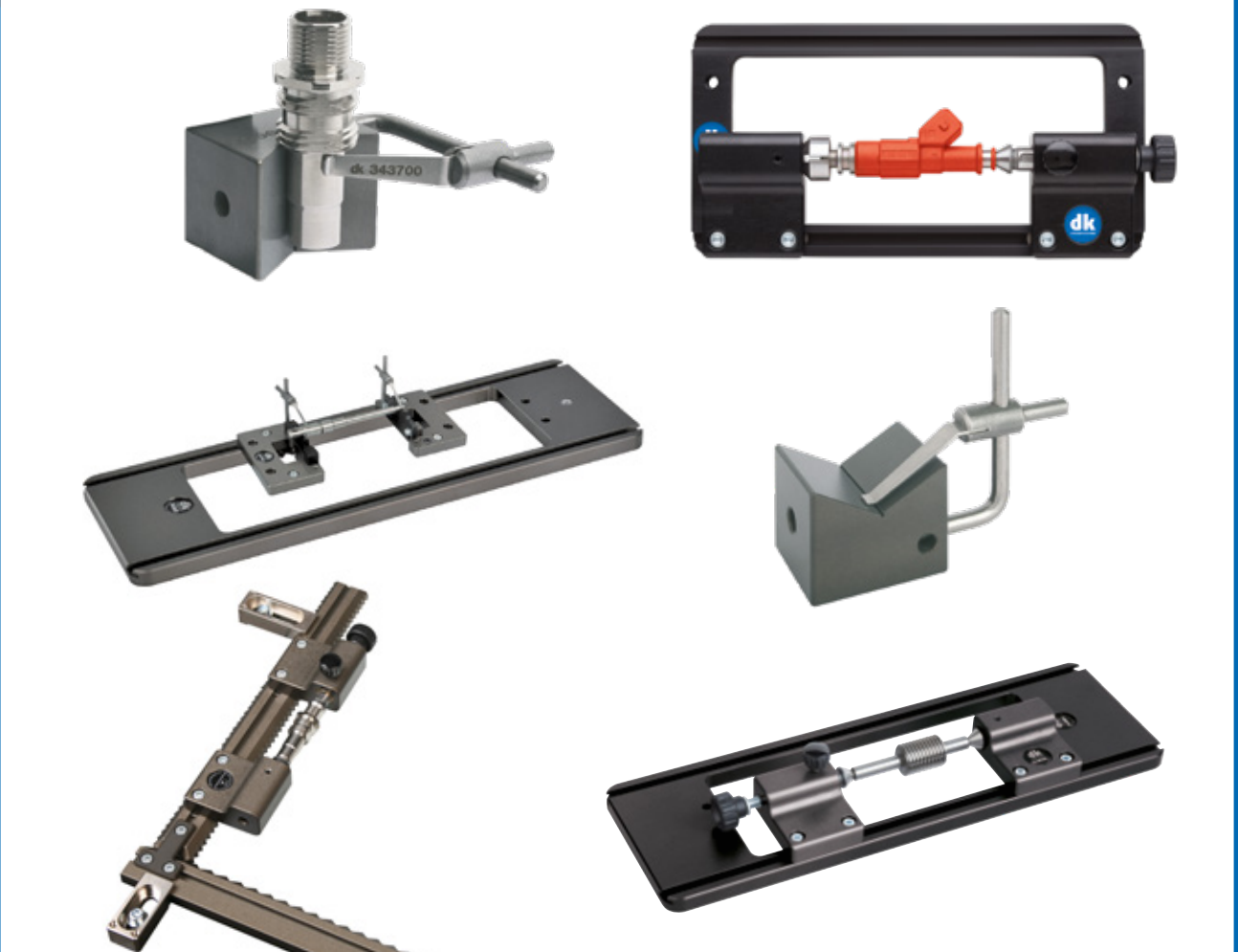
Clamping device sets for HEXAGON Optiv Line Classic 322 and 432

Two basic rail configurations matched to the respective equipment size and two sets of fastening elements form the basis for the perfect alignment and fastening of rotationally symmetrical components, because this is where HEXAGON Optiv Classic 322 and 432 show their particular advantages. The sets are designed as basic equipment for many different part geometries and measuring tasks. For further turned, milled, punched or cast parts, fixation solutions can be found in the dk catalogue with around 1,000 parts as sets or individual elements. Just as the HEXAGON device platform ensures a high degree of individualisation through maximum modularity, the modular fixation system

from dk guarantees the correct individual solution for every measuring process. With our products we ensure fast and reliable positioning for all part geometries, material qualities, production methods and industries, in single or multi-clamping for effective use of the measuring equipment. The quick-change pallet enables set-ups outside the measuring equipment to achieve maximum productivity by minimising unproductive machine time. Thus, dk's fixation solutions perfectly support the basic objectives of the measurement software from HEXAGON MANUFACTURING INTELLIGENCE.



Basic fixation set for turned parts



Order number for Optiv Classic 322 and 432: 269999_D01

Basic rail set Optiv Classic

Components in the sets with order numbers:

322
269999_300

432
269999_400

1 SCHIENENFIX basic rail

350 mm 450 mm

Description	Quantity	Order No.	Order No.
1 side fine toothed (5 mm) system rail with T-slot	1	345220	345420



2 SCHIENENFIX connecting rail

200 mm 250 mm

Description	Quantity	Order No.	Order No.
4 side fine toothed (5 mm) system rail with T-slot	1	346020	346220



3 SCHIENENFIX connecting rail

100 mm

Description	Quantity	Order number
3 side fine toothed (5 mm) system rail with T-slot	1	347220



4 T-connector for toothed rails

Description	Quantity	Order number
Connecting piece for toothed rails with T-slot	2	348000



5 Clamping claws 45 mm

Description	Quantity	Order number
For clamping the toothed rails to the measuring table	3	262928



6 Spring finger for horizontal clamping, left

Description	Quantity	Order number
Simple workpiece holding, infinite adjustment via T-slot	1	349100



7 Spring finger for horizontal clamping, right

Description	Quantity	Order number
Simple workpiece holding, infinite adjustment via T-slot	1	349200



8 Square columns for spring fingers

Description	Quantity	Order number
Movable and self-locking in a T-slot	2	268500



Basic fixation set for turned parts on Optiv Classic 322 and 432

Components in the sets with order numbers: 269999_D01

1 Quick-change pallet with view window 200x72 mm

Description	Quantity	Order number
Basic pallet 305x100x10 mm with T-slot and M6 hole for supporting various fixating elements. The pallets together with the fixating elements can be mounted and clamped on the toothed rails	1	345801



2 Pair of tailstocks for T-slots in toothed rails and pallets

Description	Quantity	Order number
Mounting at any distance; with one fixed and one movable centre, incl. Ø12 / 60 mm centres; exchangeable for other sizes and forms	1	349600



3 Prism support set for T-slots in toothed rails and pallets

Description	Quantity	Order number
Can be mounted any distance apart; one prism is height-adjustable for precise horizontal alignment of stepped shafts; for Ø 8 to 28 mm; incl. columns and spring fingers	1	345100



4 V-block 120° with spring finger

Description	Quantity	Order number
120° V-block with spring finger for holding rotationally symmetrical parts with a spring finger; for vertical and horizontal positioning of test pieces	1	267900



Upgrade fixating set for turned parts on Optiv Classic 322 and 432

Components of the sets with order number: 269999_D02

5 SWA39 Quick-action clamp for T-slots in toothed rails and pallets

Description	Quantity	Order number
Quick-action clamp for mounting in T-slots of toothed rails and pallets; aligned using centring pins; for supporting all the fixating elements of the SWA39 system	1	273320



6 SWA39 Quick-action clamp 90° angle element

Description	Quantity	Order number
Quick-action clamp 90° angle element for adaption to the SWA39 quick-action clamp; for positioning the fixating elements of the SWA39 system horizontally	1	283300



7 SWA39 50 mm precision three-jaw chuck

Description	Quantity	Order number
Hand operated three-jaw chuck with tool-free reversible jaws for internal and external clamping of rotationally symmetrical workpieces; with holes and pins for holding parts in a raised position to enable access from all sides	1	329705



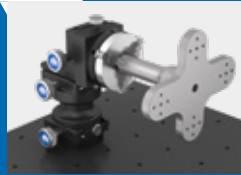


**FAST
REASSEMBLY
LIFELONG**

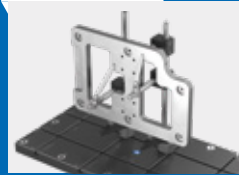
The entire world of fixating, clamping and positioning.

The digital version of our
catalogue is available here:
www.dk-fixiersysteme.de

SWA39



SPANNFIX PRO



SPANNFIX ECO



QUADERFIX



SCHIENENFIX



MICROFIX



SPEZIALFIX



The basic principle of all dk fixturing systems:
"Fast Reassembly Lifelong"

Our modular fixtures can effortlessly be disassembled
and precisely reassembled at any time. The compatibility
of the fixturing systems make the utility value perfect.

dk
FIXIERSYSTEME

dk FIXIERSYSTEME GmbH & Co. KG
Ferdinand-Lassalle-Strasse 35
72770 Reutlingen, Germany

Tel. +49 (0) 7121 90 97 10
Fax +49 (0) 7121 90 97 120
www.dk-fixiersysteme.de
info@dk-fixiersysteme.de

modular. simple. better.

To be obtained from



Hexagon Manufacturing Intelligence
Hexagon Metrology GmbH
Siegmund-Hiepe-Str. 2-12 • 35578 Wetzlar • Germany
Tel. +49 (0) 6441 207 0
Fax +49 (0) 6441-207-122
www.hexagonmi.com • contact.de.mi@hexagon.com