

*Fixturing systems*

*Clamping device sets for  
OGP SmartScope  
3D multi-sensorial systems*

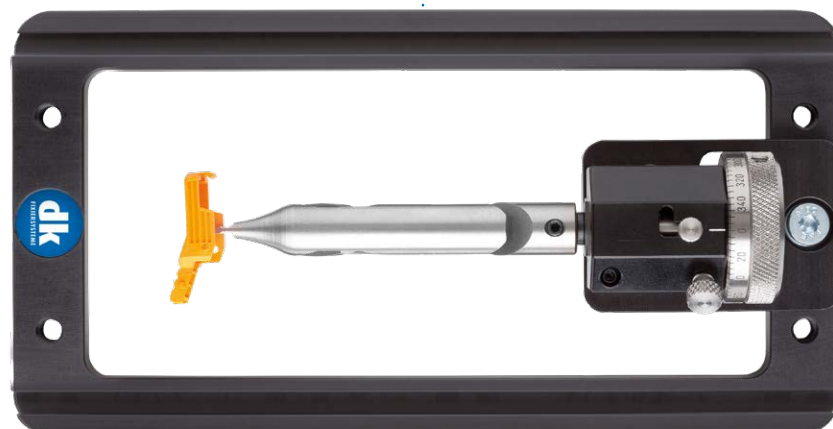
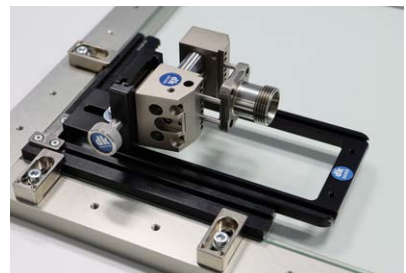
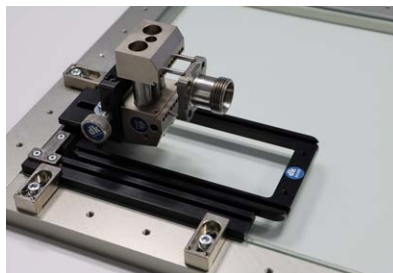
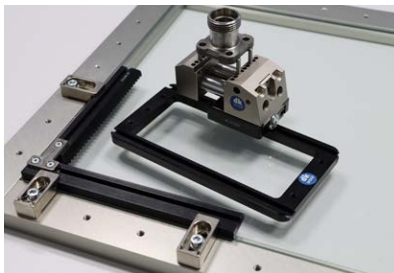
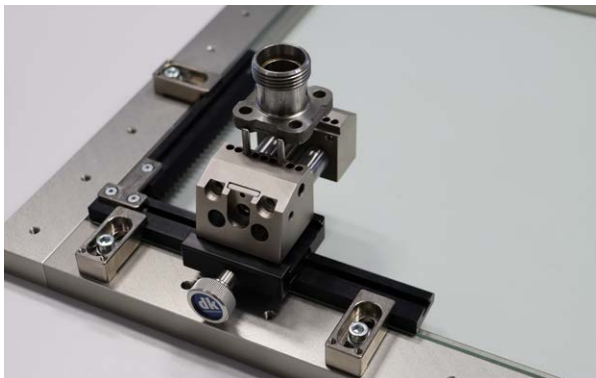


# Maximum modularity for optimum application flexibility

## SCHIENENFIX – the fixating system for multi-sensorial metrology equipment

Versatile modular system for optical measuring machines, multi-sensorial devices, measuring projectors and measuring microscopes. The basis is a modular toothed rail system that accommodates the clamping elements directly or via a quick-change pallet system. As an option, rigid or adjustable structural elements can be mounted in between, to optimally position the test specimens in 3D space. The fine-toothed precision rails make objects with straight edges very easy to measure in transmitted light. The interchangeable pallets enable set-ups outside the measuring machine and zero point placement on the measuring device for a simple and rapid measuring process, especially advantageous for measuring adjacent to production.

### Example applications



Fixation set for milled, bent, punched and injection moulded parts

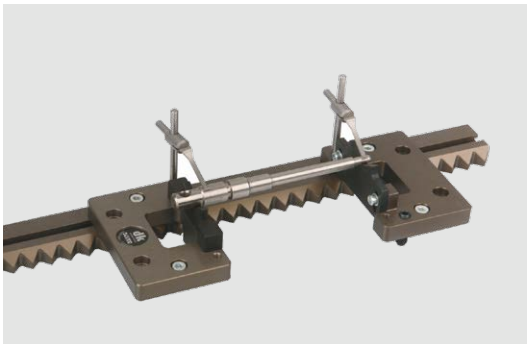
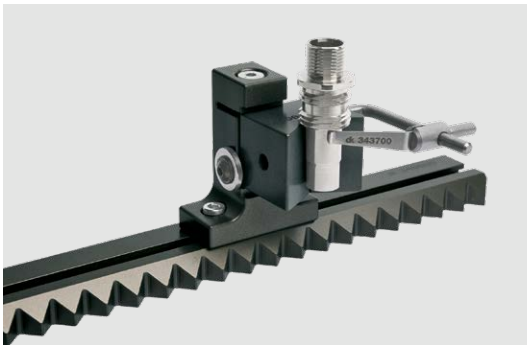
## Clamping device sets for OGP SmartScope 3D multi-sensorial systems

Three basic rail configurations matched to the respective device size and two fixation element sets form the universal basis for the perfect alignment and fixation of many different parts. The modular clamping system from dk solves associated clamping requirements as flexibly as the SmartScope systems fulfil different measuring tasks. For special part geometries, many additional clamping elements which are 100% compatible with these basic sets can be found in the dk main catalogue with over 1,000 items, which can be downloaded as 3D models from our homepage. The same applies to other sizes and other series of OGP Metrology Systems: perfect solutions can be configured from the dk

modular systems and adapted to any future requirements in terms of products, processes and metrology machines.



### Application examples



Fixation set for turned parts

# Base rail sets for OGP SmartScope Flash 200 / 300 / 500\*

## Fine-toothed slotted rails complete with fastenings and spring fingers

\*Also available for all other OGP Metrology System sizes and model series

### Description

Clamping set for optical measuring tasks. For constructing a simple frame that can be attached to the tapped holes / slots of the measuring equipment table using claw clamps. Includes 2 spring fingers for quick and easy holding of test parts.

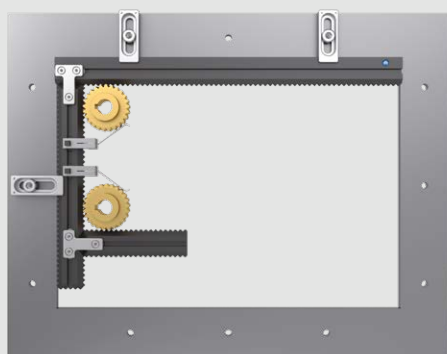


Order number	Metrology machine	Measuring window
269966_200/200	Flash 200	200 x 200 mm
269966_300/300	CNC 300	300 x 300 mm
269966_500/450	CNC 500	500 x 450 mm

### SCHIENENFIX

Fine-toothed slotted rails complete with fastenings and spring fingers

### Application examples



### Set contents for the various measuring window sizes

Order number	Description	200 x 100	300 x 300	500 x 450
345020	Base rail 250 mm / T 5	1	-	-
345220	Base rail 350 mm / T 5	-	1	-
345620	Base rail 500 mm / T 5	-	-	1
347220	Connecting rail 100 mm / T 5	1	1	-
346020	Connecting rail 200 mm / T 5	1	-	1
346220	Connecting rail 250 mm / T 5	-	1	-
346620	Connecting rail 400 mm / T 5	-	-	1
348000	Rail connecting piece	2	2	2
262916	Clamping claws 35 mm, M6	3	3	2
262926	Clamping claws 45 mm, M6	-	-	1
349100	Spring finger, left 34 mm	1	1	1
349200	Spring finger, right 34 mm	1	1	1
268500	Spring finger holder	2	2	2

## Upgrade fixation set for turned parts

Order No.: 269975-SD01

### 1 Quick-change pallet with 160 x 72 mm window

Description	Quantity	Order number
Basic pallet 195x100x10 mm with T-slot and M6 hole for supporting various fixating elements. The pallet together with the mounted clamping elements can be positioned and fixated on the toothed rail	1	345821



### 2 Tailstock pair for T-slot in toothed rail and pallet

Infinite mounting with any spacing, with one fixed and one movable adapter, incl. $\varnothing$ 12 / 60 mm centres which can be exchanged for other sizes and types	1	349600
---	---	--------



### 3 V-block sets for T-slot in toothed rail and pallet

Infinite mounting with any spacing, one V-block is height adjustable for precise adjustment for stepped shafts; for $\varnothing$ 8 to 28 mm, incl. columns and spring finger	1	345100
---	---	--------



### 4 120° V-block with spring finger

120° V-block with spring finger for fixating rotationally symmetrical parts via spring force; for vertical and horizontal positioning of test pieces	1	267900
Matching V-block bracket	1	267910



## Upgrade fixation set for milled, bent, punched and injection moulded parts

Order No: 269975-SF01

### 1 Quick-change pallet with 160 x 72 mm window

Description	Quantity	Order number
<i>Description - see turned part fixation set</i>	1	345821



### 2 SWA39 quick-action clamp for T-slot in toothed rail and pallet

For infinite positioning in the T-slot of toothed rail and pallet	1	273320
---	---	--------



### 3 SWA39 quick-action 90° clamping element

for mounting on the SWA39 quick-action clamp	1	283300
--	---	--------



### 4 50 mm precision vice

with SWA39 interface. Incl. adjustable stop, clamping width extension from 35 to 75 mm and pins for raised part positioning	1	282100
---	---	--------



### 5 Rotary unit with fine adjustment and indexing

Infinite rotation, incremental locking every 30° can be activated, interface for all clamping elements with SWA5 such as small part holder & small chuck	1	314900
--	---	--------



### 6 Small parts clamp, offset

Securing small parts using spring fingers, SWA5 adapter	1	266100
---	---	--------





The digital version of the catalogue can be found under:  
[www.dk-fixiersysteme.de](http://www.dk-fixiersysteme.de)



Available from



OGP Messtechnik GmbH  
 Nassastraße 11  
 65719 Hofheim-Wallau, Germany

Tel. +49 (0) 6122 9968-0  
 ogpgmbh@ogpnet.com  
 www.ogpgmbh.de



**dk FIXIERSYSTEME GmbH & Co. KG**

Ferdinand-Lassalle-Strasse 35  
 72770 Reutlingen, Germany

Tel. +49 (0) 7121 90 97 10  
 Fax +49 (0) 7121 90 97 120  
 info@dk-fixiersysteme.de  
 www.dk-fixiersysteme.de

*modular. simple. better.*

# The entire world of fixating, clamping and positioning

The around 1,000 part comprehensive standard construction sets of the dk fixating systems for measuring technology offer the following advantages:

- » Modular system that has grown and proven itself over decades
- » Modularity across different programmes
- » Solutions for every positioning task
- » Economic efficiency through the synergy effects of several sector solutions

SWA39



SPANNFIX PRO



SPANNFIX ECO



QUADERFIX



SCHIENENFIX



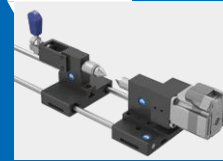
MICROFIX



SWA39CT



SPEZIALFIX



ARTICULATED SYSTEMS



SWA39SURF



**FAST  
 REASSEMBLY  
 LIFELONG**

The basic principle of all dk fixating systems!

Our fixtures are modular in design, can be dismantled at any time and can be identically reassembled again. The compatibility of the dk fixation systems makes the utility value perfect.