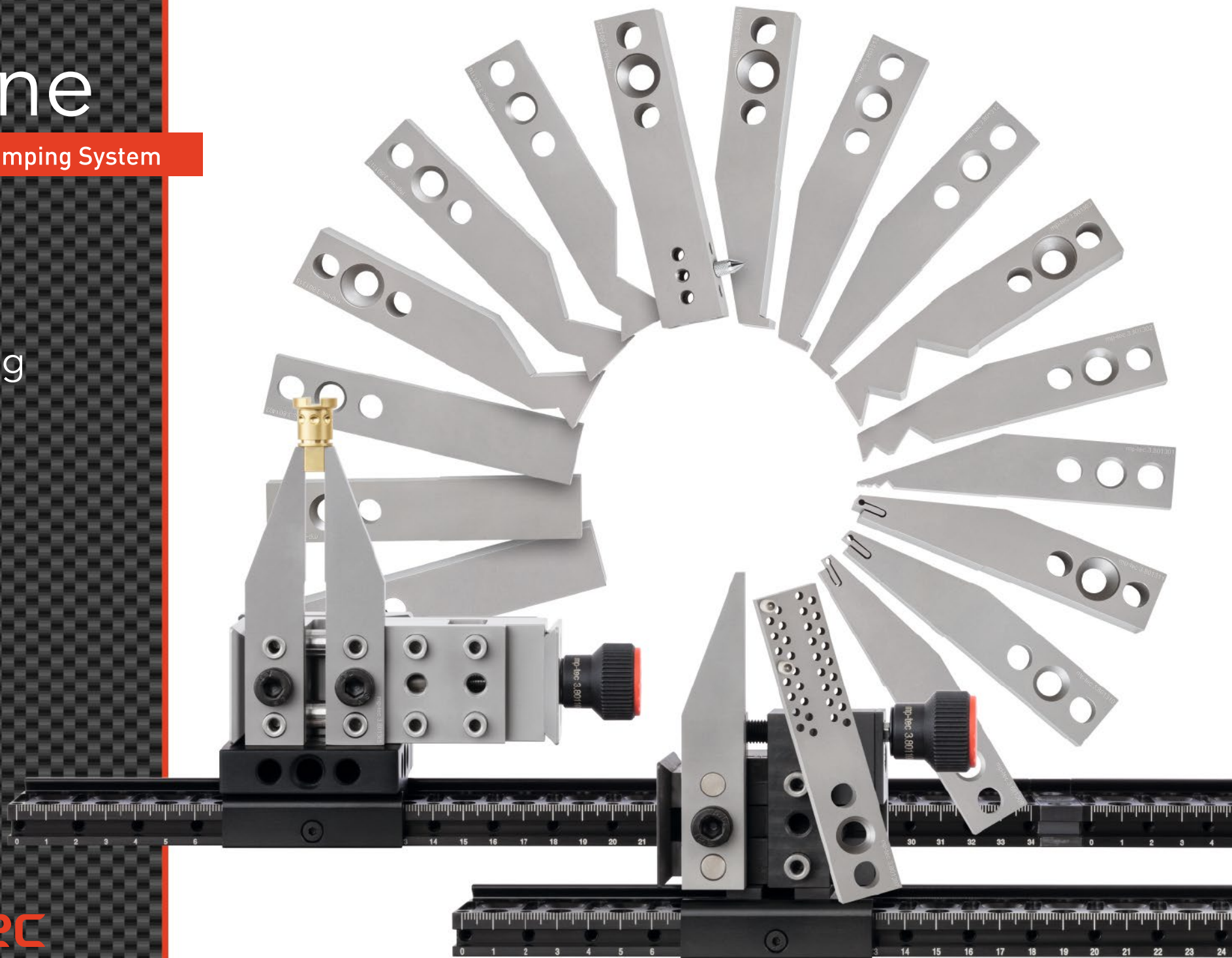


Q-line

Modular Clamping System

for
efficient
measuring



mp-tec

Q-line

Modular Clamping System

Today, measurement technology is an essential part of every production process. Partial series and entire batches must be measured and reported efficiently.

Flexibility and efficiency are important criteria alongside reliable, reproducible measurement.

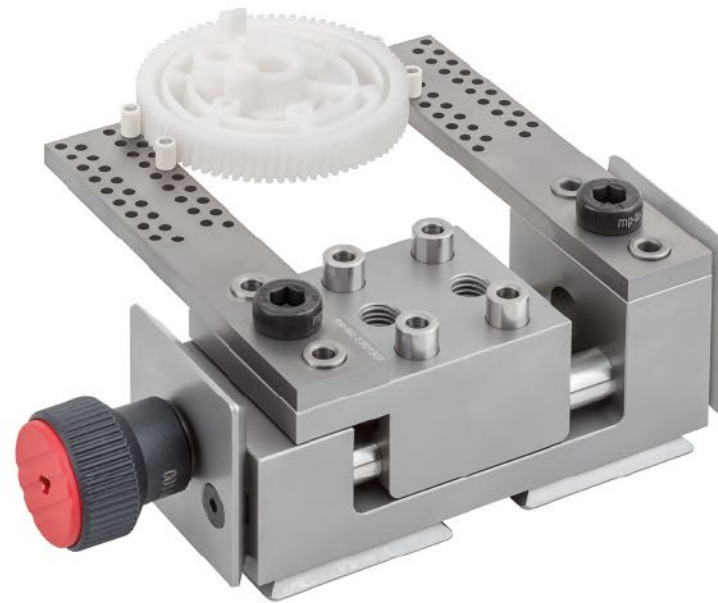
With Q-line, mp-tec has developed a modular, flexible clamping system that is constantly evolving and meets a wide variety of requirements.

The two eccentric vices MINI and MIDI, which are suitable for single and multiple clamping, form the basis. Their particular strength lies in their practical handling, limitless flexibility thanks to standard and special clamping jaws and useful accessories.

Significant time and cost savings can be realized from the very first use.

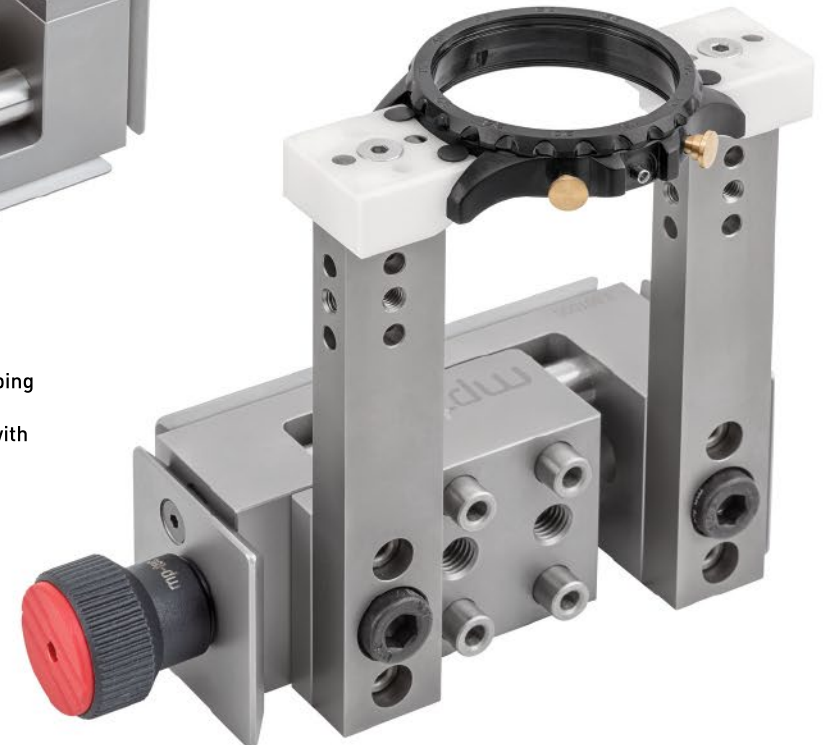
Features

Vice series	Q-line MINI and Q-line MIDI
Clamping jaws	standard types blanks for custom-made
Clamping jaw holder	two pins Ø 8 mm, plus M8 screw
System rails	various lengths for flexible multiple clamping
Quick-change adaptor	for fast and secure fixing
Accessories	for all conceivable tasks



Q-line MIDI

Horizontal and vertical clamping with different standard jaws. On the right in combination with special plastic adapters for holding the workpiece.





Q-line MINI
12-fold clamping with
reproducible pluggable
stop

Q-line

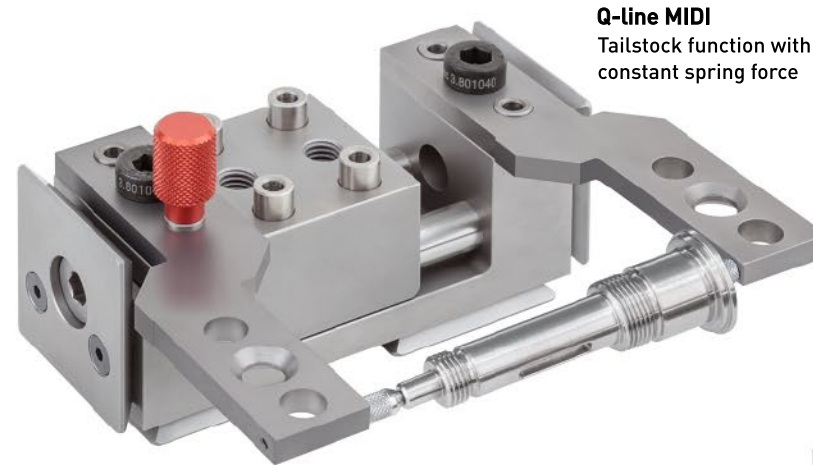
Eccentric Vice MIDI

The MIDI eccentric vice is a versatile, highly flexible clamping device for time-saving single clamping operations and small series. It can be used on all common measuring devices.

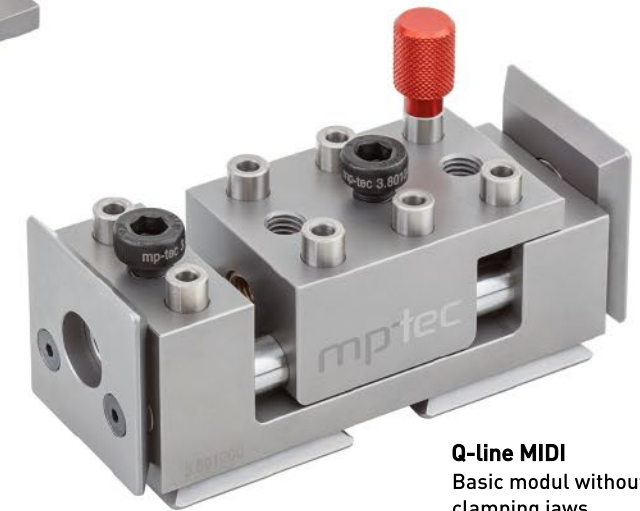
It has a standardized interface for exchangeable eccentric clamping jaws. Three jaw holders offset by 20 mm result in a clamping width of 0–60 mm. Jaw blanks can be adapted to the specific requirements of the parts. Recurring parts are clamped quickly and accurately. Special solutions can be implemented quickly and cost-effectively.

The clamping force is generated either by means of a spindle and torque knob or via an exchangeable compression spring. This enables a constant clamping pressure from fine to strong.

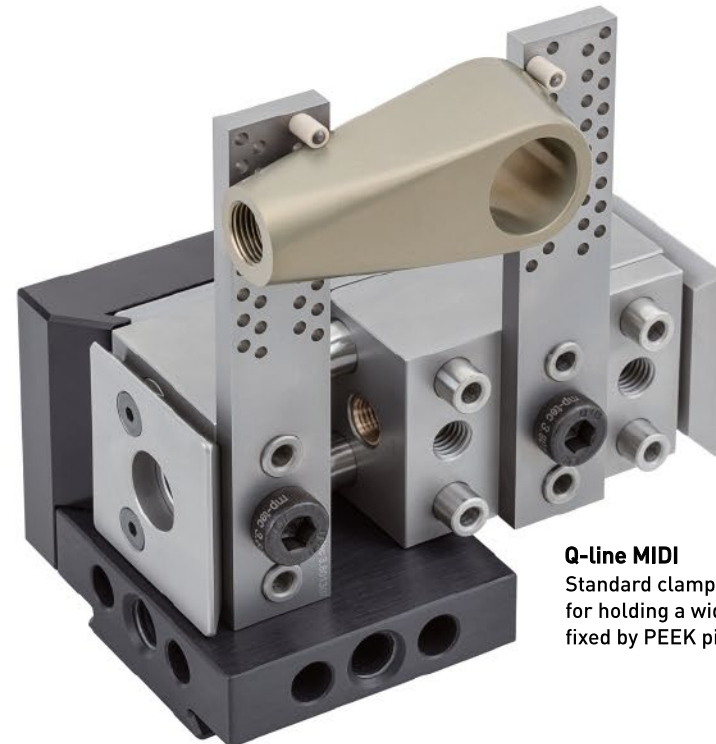
Let us show you the practical operation and flexibility of the Q-line system on site.



Q-line MIDI
Tailstock function with
constant spring force



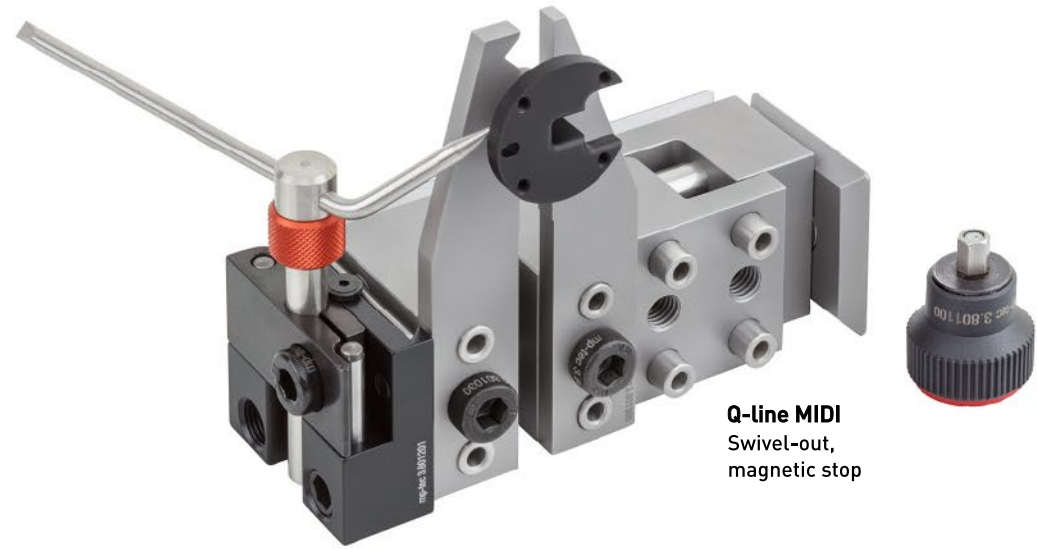
Q-line MIDI
Basic modul without
clamping jaws



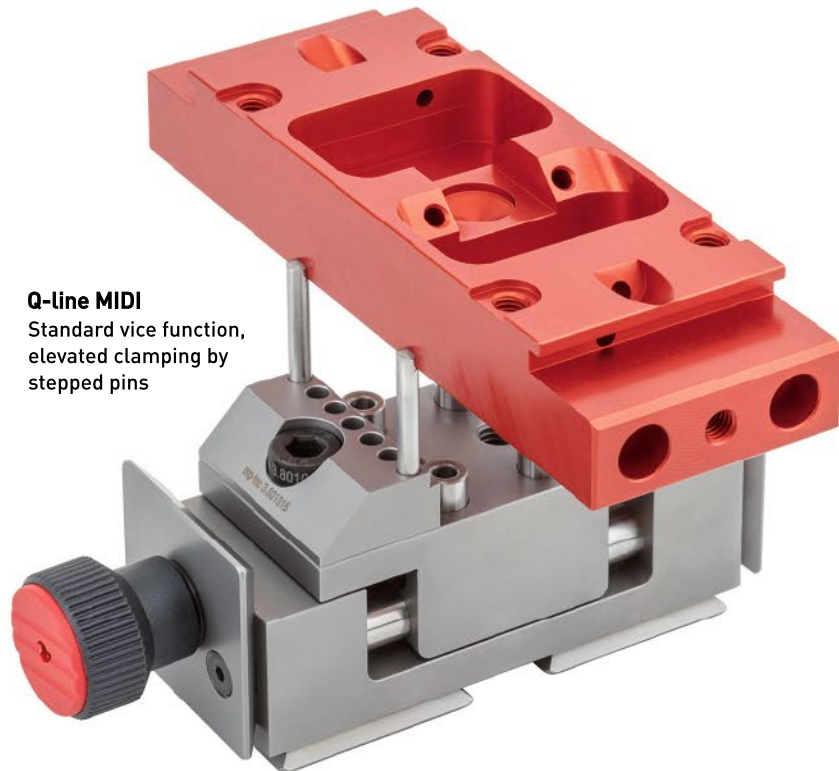
Q-line MIDI
Standard clamping jaw with various holes
for holding a wide range of free forms,
fixed by PEEK pins

Technical Data

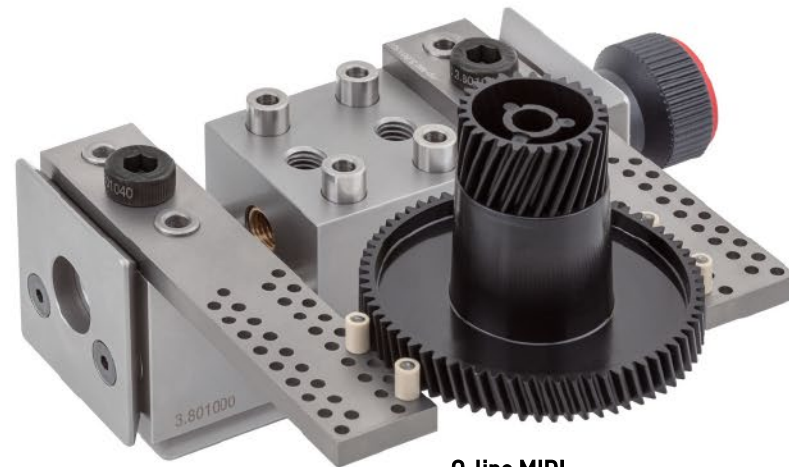
Dimensions (LxWxH)	100x40x40 mm, ground on all sides
Quick-change adaptor	4 x SWA 39, compatible to dk Fixiersysteme
Span width	0...20 mm 20...40 mm 40...60 mm
Torque knob	0.1 – 0.3 Nm, infinitely adjustable
Spring force soft	max. 20 N (optionally interchangeable)
Spring force hard	max. 50 N (optionally interchangeable)
Clamping jaw holder	two pins Ø 8 mm, plus M8 screw
Clamping jaw length	100 mm
Clamping jaw thickness	3 5 10 mm
Clamping jaws	various standard versions custom-made



Q-line MIDI
Swivel-out,
magnetic stop



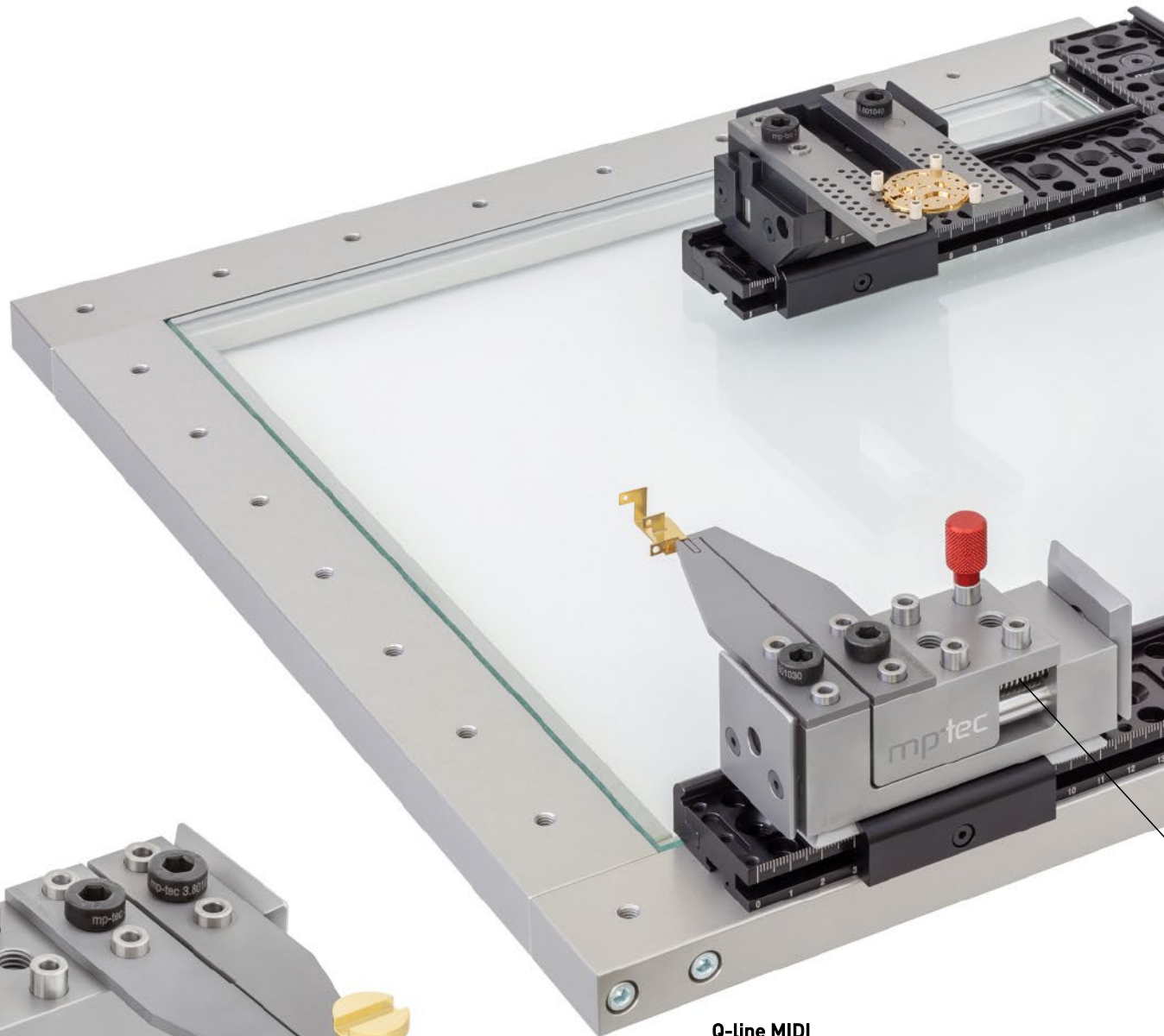
Q-line MIDI
Standard vice function,
elevated clamping by
stepped pins



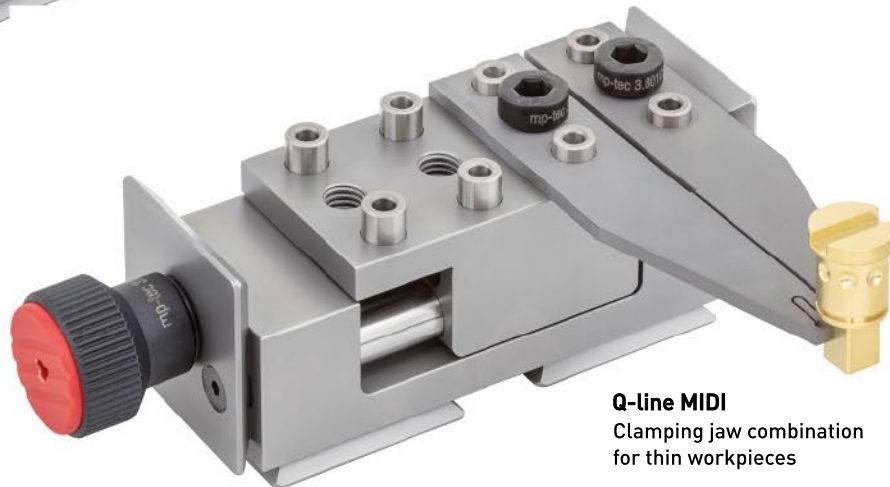
Q-line MIDI
Standard clamping jaw for workpieces
with pressure-sensitive surface

Q-line

Eccentric Vice MIDI

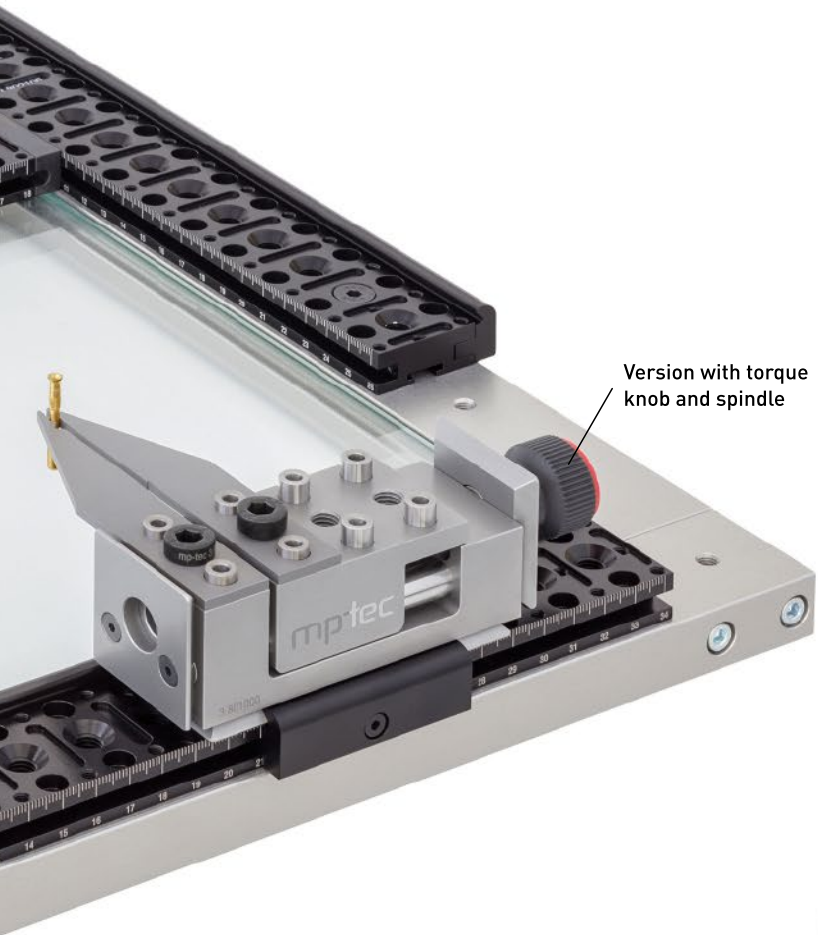


Q-line MIDI
Special clamping jaw with plastic inlay
for gentle clamping

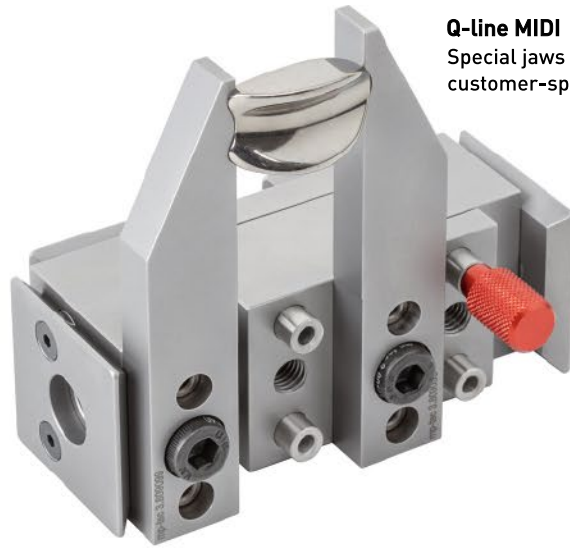


Q-line MIDI
Clamping jaw combination
for thin workpieces

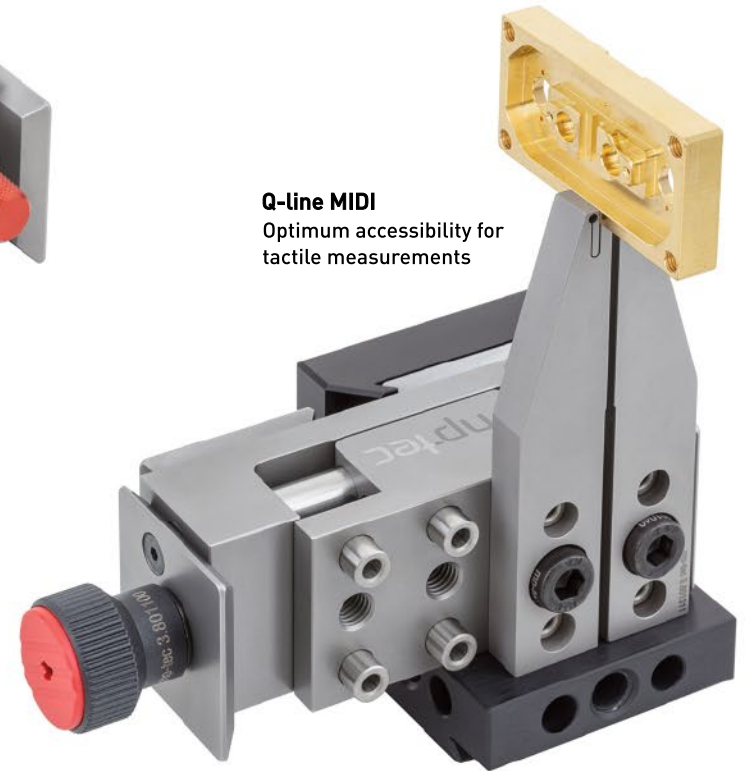
Q-line MIDI
Maximum transmitted light
for optical measurements



Version with torque knob and spindle

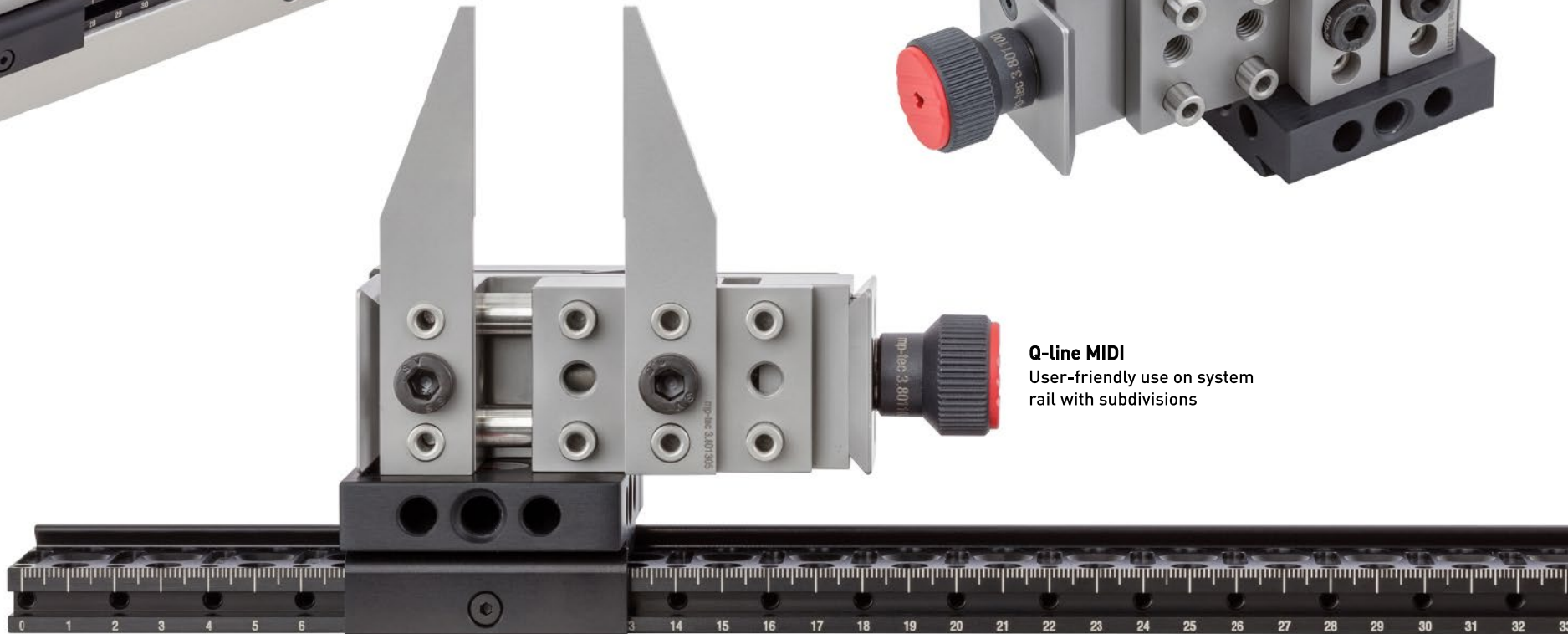


Q-line MIDI
Special jaws with customer-specific fit



Q-line MIDI
Optimum accessibility for tactile measurements

Version with compression spring preload
↔



Q-line MIDI
User-friendly use on system rail with subdivisions

Q-line

Eccentric Vice MINI

Thanks to its compact design, the MINI eccentric vice is particularly suitable for multiple clamping. Also ideal as a single clamping element on smaller measuring devices.

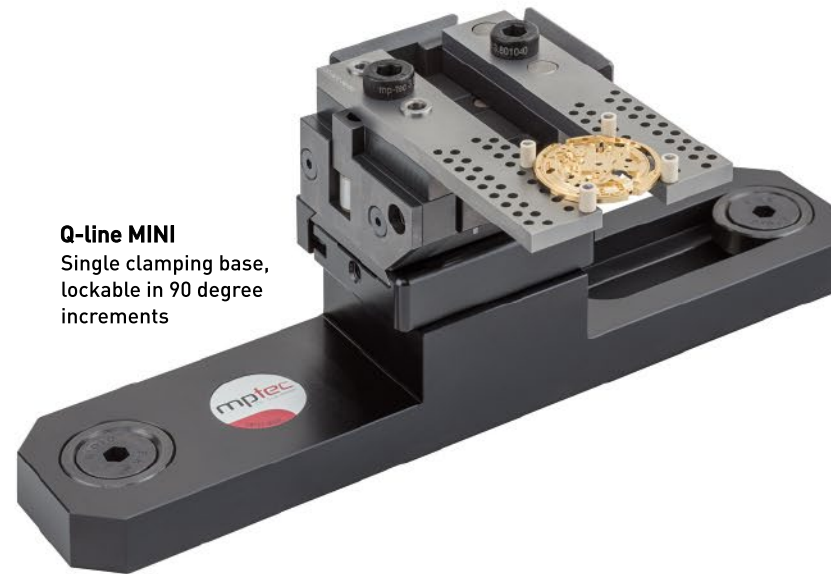
It has the same interface for clamping jaws as Q-line MIDI.

The decisive advantage: Here too, jaw blanks can be customized for specific parts. Even complete custom-made products are easy to realize.

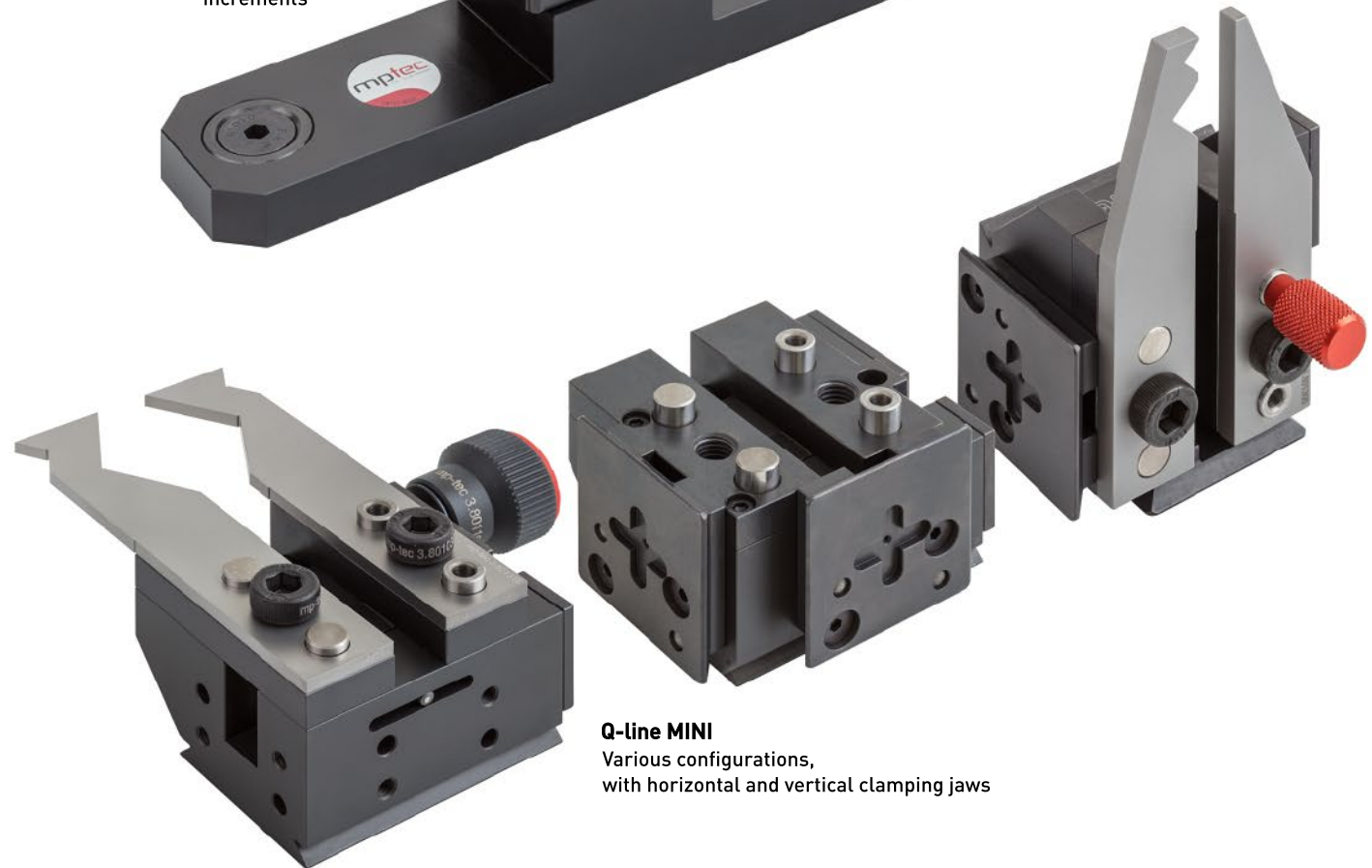
Recurring parts can be positioned quickly and unmistakably. The flexible, defined positioning always guarantees an optimum measuring position.

Q-line – the ideal combination of standard system and special solution.

We would be pleased to present the convincing Q-line system to you 1:1.



Q-line MINI
Single clamping base,
lockable in 90 degree
increments



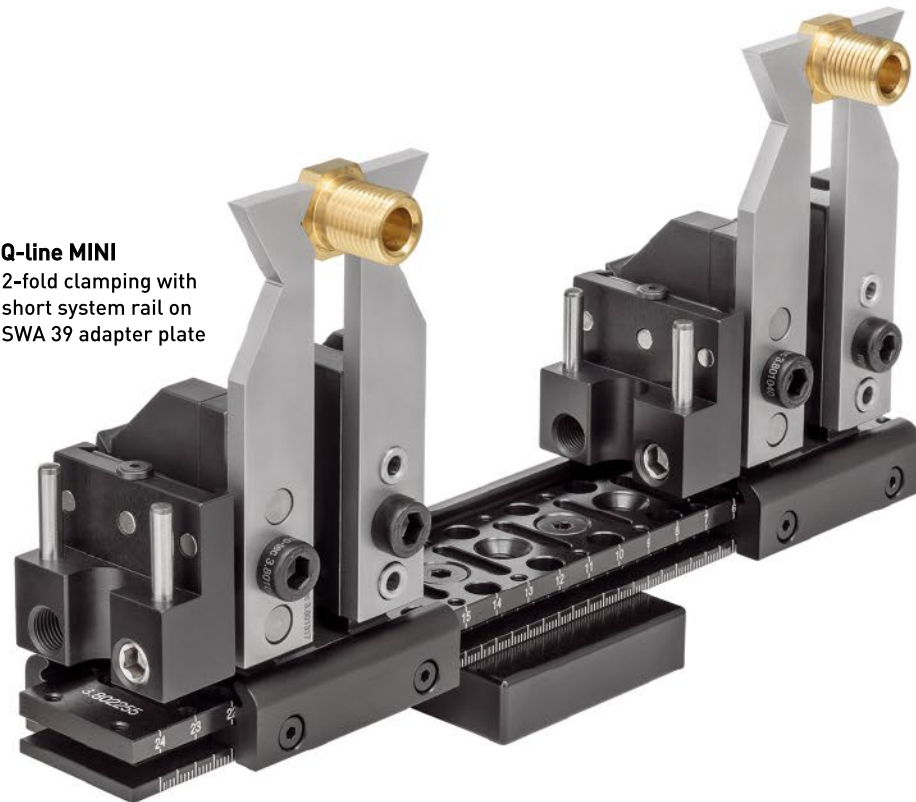
Q-line MINI
Various configurations,
with horizontal and vertical
clamping jaws

Technical Data

Dimensions (LxWxH)	60x55x40 mm
Quick-change adaptor	2 x SWA 39, compatible to dk Fixiersysteme
Span width	0...20 mm
Torque knob	0.1 – 0.3 Nm, infinitely adjustable
Spring force soft	max. 20 N (optionally interchangeable)
Spring force hard	max. 50 N (optionally interchangeable)
Clamping jaw holder	two pins Ø 8 mm, plus M8 screw
Clamping jaw length	100 mm
Clamping jaw thickness	3 5 10 mm
Clamping jaws	various standard versions custom-made

Q-line MINI

2-fold clamping with short system rail on SWA 39 adapter plate



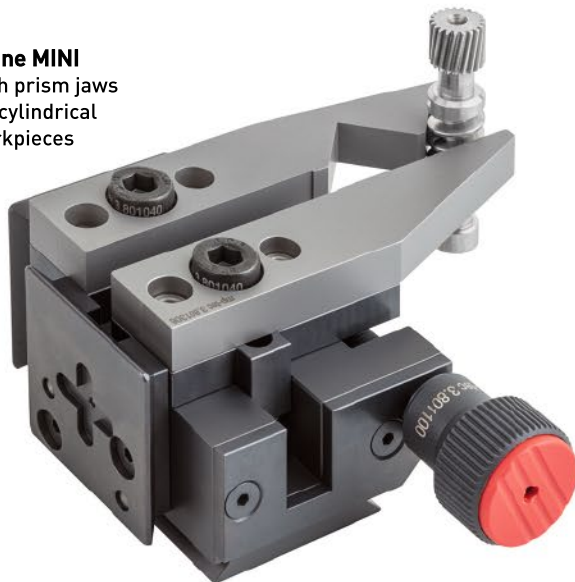
Q-line MINI

Chronological set-up sequence up to the reproducible positioned workpiece

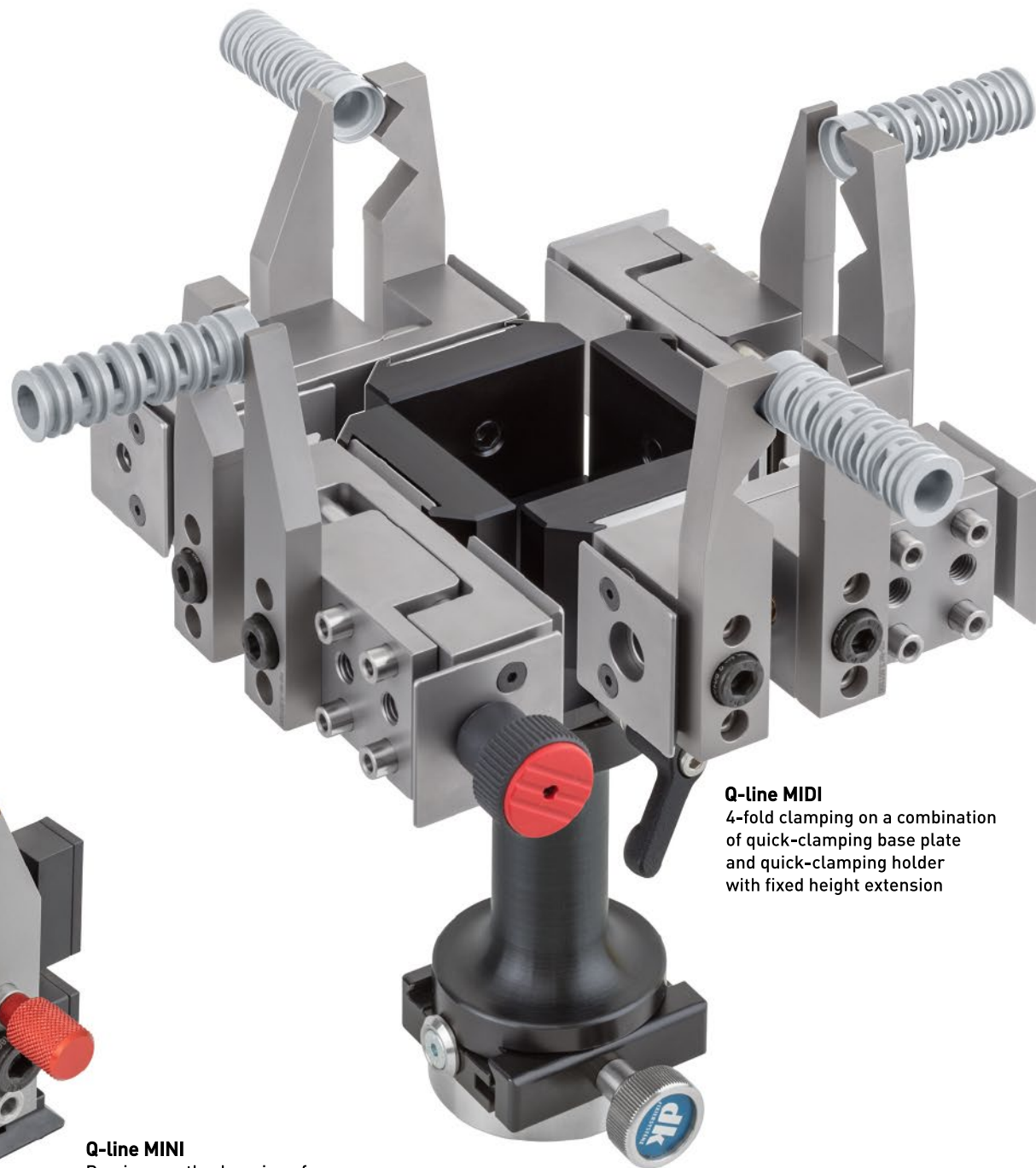
Q-line

Eccentric Vice MINI

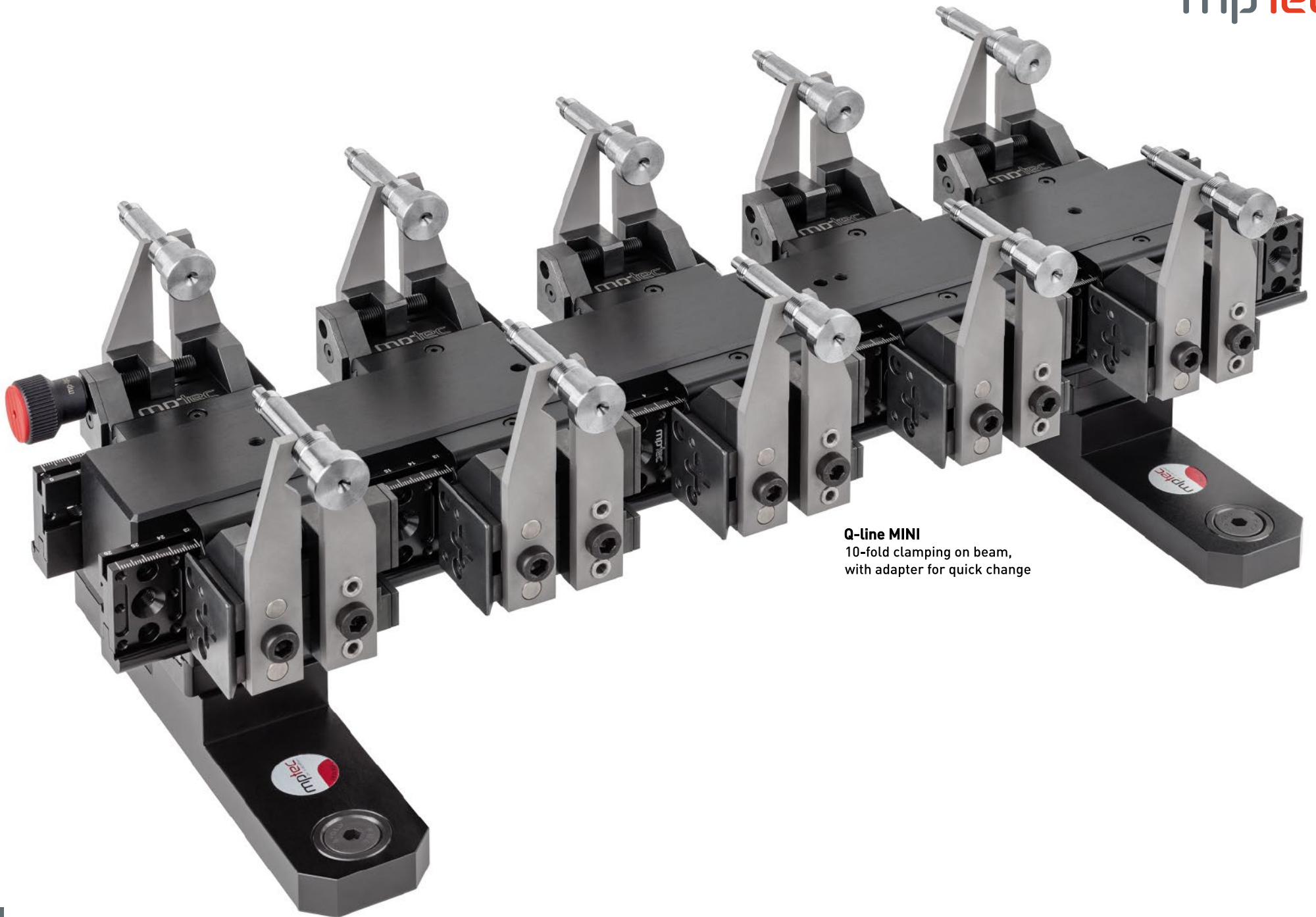
Q-line MINI
With prism jaws
for cylindrical
workpieces



Q-line MINI
Precise, gentle clamping of
parts in the micro range



Q-line MIDI
4-fold clamping on a combination
of quick-clamping base plate
and quick-clamping holder
with fixed height extension



Q-line MINI
10-fold clamping on beam,
with adapter for quick change

Q-line

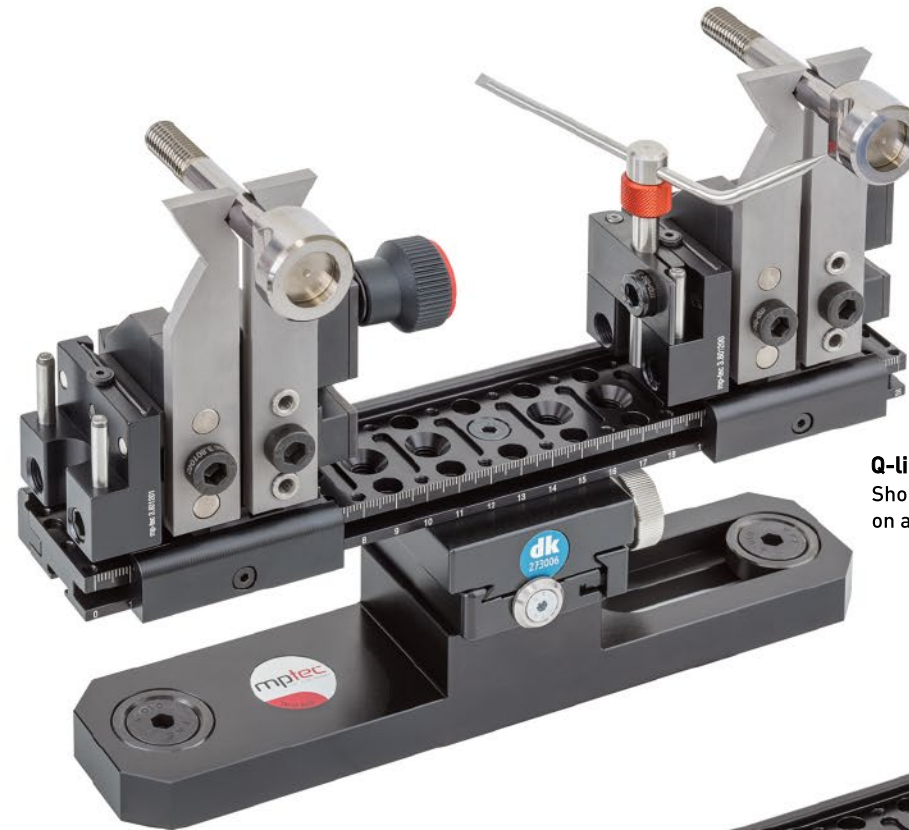
System Rails

The system rail is the interface between the measuring machine and the clamping element. Individual rails, angles and various combinations can be customized for multiple clamping.

The Q-line MIDI and Q-line MINI eccentric vices are quickly and reproducibly clamped onto the standardized prism interface. With the practical clamping bars, they can be easily fixed without any effort.

The grid allows defined positioning at 20 mm intervals. Continuous use with the aid of the scale is also possible.

Put together your desired combination yourself according to your needs or call us for an appointment on site.



Q-line System rails
Short version with 2-fold clamping
on a single station

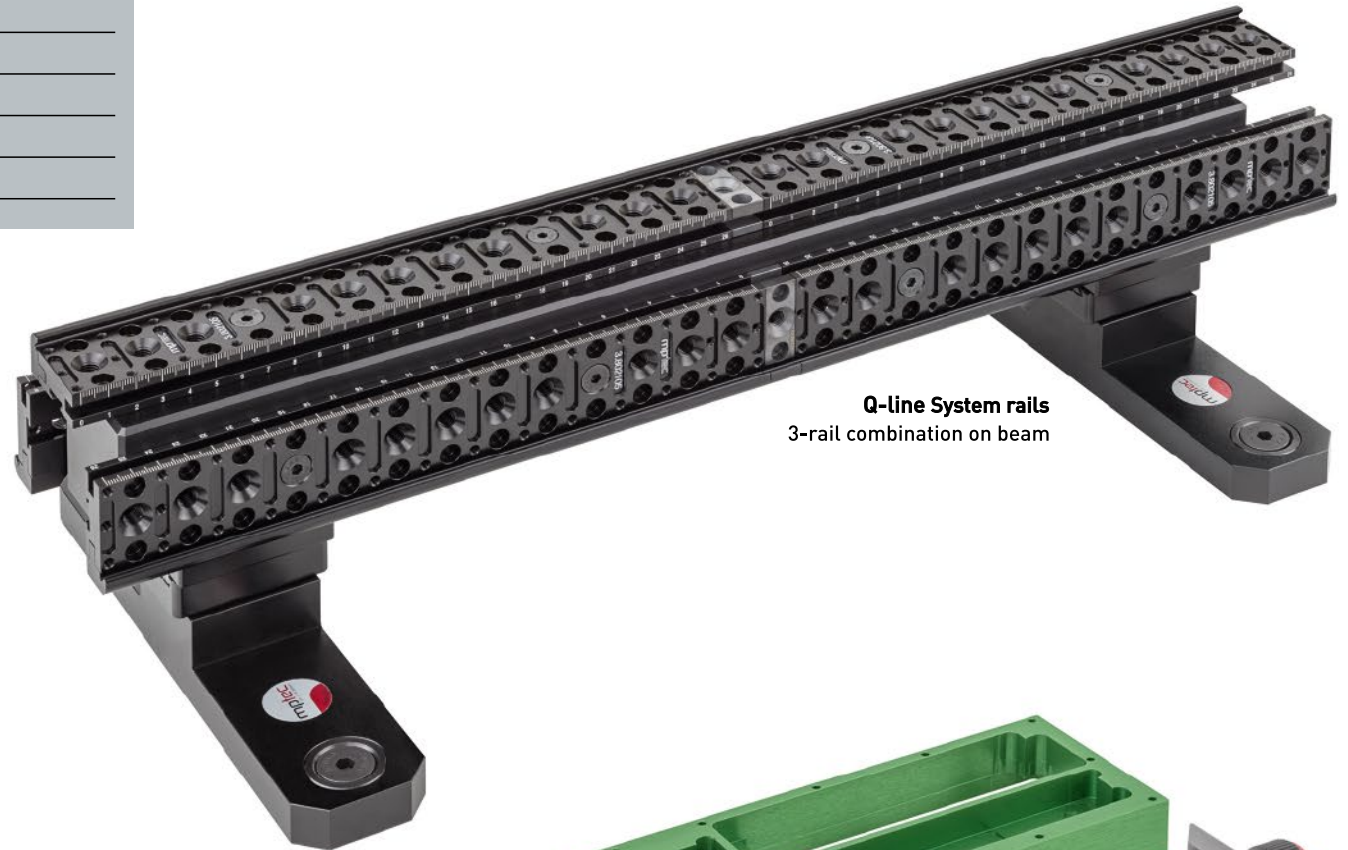


Q-line System rails
in the three standard
lengths

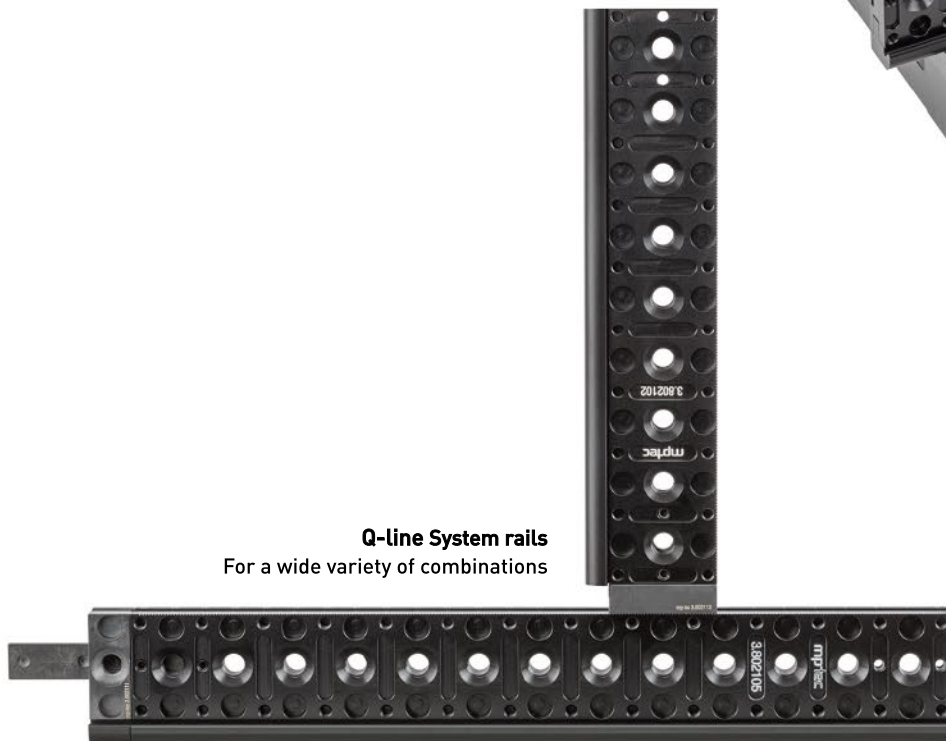
Q-line Clamping bars
Secure, fast fixation

Technical Data

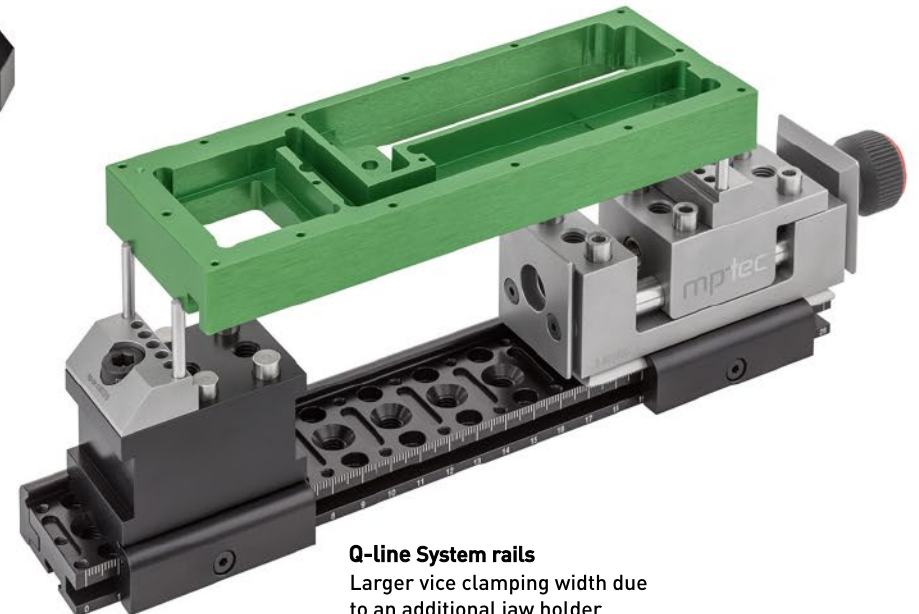
Dimensions (L x W x H)	186 266 346 x 51 x 18 mm
Material	high-strength aluminum, hard anodized
Quick-change adaptor	SWA 39, compatible to dk Fixiersysteme
Linear subdivisions	20 mm
Mounting	via clamping bar or screwed directly



Q-line System rails
3-rail combination on beam



Q-line System rails
For a wide variety of combinations



Q-line System rails
Larger vice clamping width due
to an additional jaw holder

Q-line

Clamping Jaws | Accessories

The flexibility of the Q-line system is largely based on the ingenious clamping jaw principle.

The eccentrically arranged jaws can be replaced and fixed quickly thanks to the standardized interface with conical screw. They are available in various designs, such as prismatic, stepped, straight or perforated jaws. The majority of all clamping operations can be covered with standard clamping jaws.

However, the decisive advantage of the system lies in the simple, cost-effective realization of special solutions:

Customized clamping jaws are manufactured from blanks according to your specific requirements.

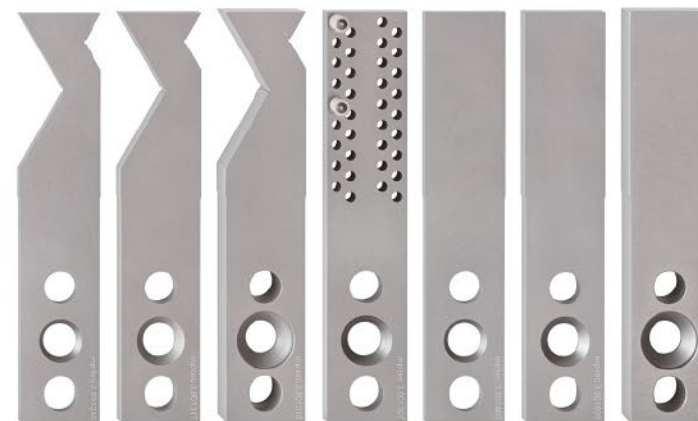
Complete special designs can also be realized. This means that your series can be clamped effortlessly and reproducibly.

Give us a call today. We look forward to showing you Q-line up close.

Technical Data

Dimensions (L x W x H)	100 x 20 x 3 5 10 mm
Material	Special steel
Fixing	two pins Ø 8 mm, plus M8 screw

Q-line Clamping jaws Standard range



Q-line Clamping jaws
Tailstock function



Q-line Clamping jaws
Standard vice jaw



Q-line Clamping jaws
Fixing screws long | short



Q-line System case
Reliably protects all components
from dust and damage



Q-line Accessories
Aluminium bar for multiple clamping,
compatible to dk Fixiersysteme



Q-line Accessories
Single clamping device,
compatible to dk Fixiersysteme

Manufacture | Distribution

mp-tec ag
Werdstrasse 2
CH-5106 Veltheim / Switzerland
T +41 56 443 09 70
F +41 56 443 09 72
www.mp-tec.ch
info@mp-tec.ch

High-quality products and services in mp-tec quality!

mp-tec ag is active in the development, manufacture and distribution of products in the fields of measuring, positioning and clamping technology as well as medical technology. Another plus is the assembly of customer-specific components. In the field of clamping technology for measuring machines, we are the Swiss sales partner of dk Fixiersysteme GmbH & Co. KG. High-quality in-house developments of special clamping devices round off the range.

Many years of experience and individual customer support on site are among the key competencies of our company.

Milestones

- 1962 TEKUSA company established by K. Meier in Geroldswil ZH – Industrial tools and accessories
- 1979 Daniel Meier joins the company – Technology division, development of the measuring stand series
- 1986 Takeover of the company by the two sons, foundation of TEKUSA AG, Dietikon
- 2003 Company splitting. Daniel Meier founds mp-tec ag with a focus on measuring stands, expands the product range and builds up the clamping technology division for measuring machines. The company is now based in Veltheim, at manufacturing partner Samuel Werder AG.
- 2008 Expansion of the range of services to include "component assembly according to customer specifications"
- 2014 Expansion of the company and move into the new building in Veltheim
- 2015 Development of the Q-line clamping system, continuous further development since then
- 2019 ISO 13485:2016 certification for the medical sector
- 2020 Daniel Meier is retiring, takeover of mp-tec AG by Lucien Kägi
- 2023 Major update of the Q-line system, new edition of the catalog

DISTRIBUTION PARTNER



dk FIXIERSYSTEME GmbH & Co. KG
Ferdinand-Lassalle-Straße 35
D-72770 Reutlingen
T +49 (0) 7121 90 97 10
F +49 (0) 7121 90 97 120
www.dk-fixiersysteme.de
info@dk-fixiersysteme.de