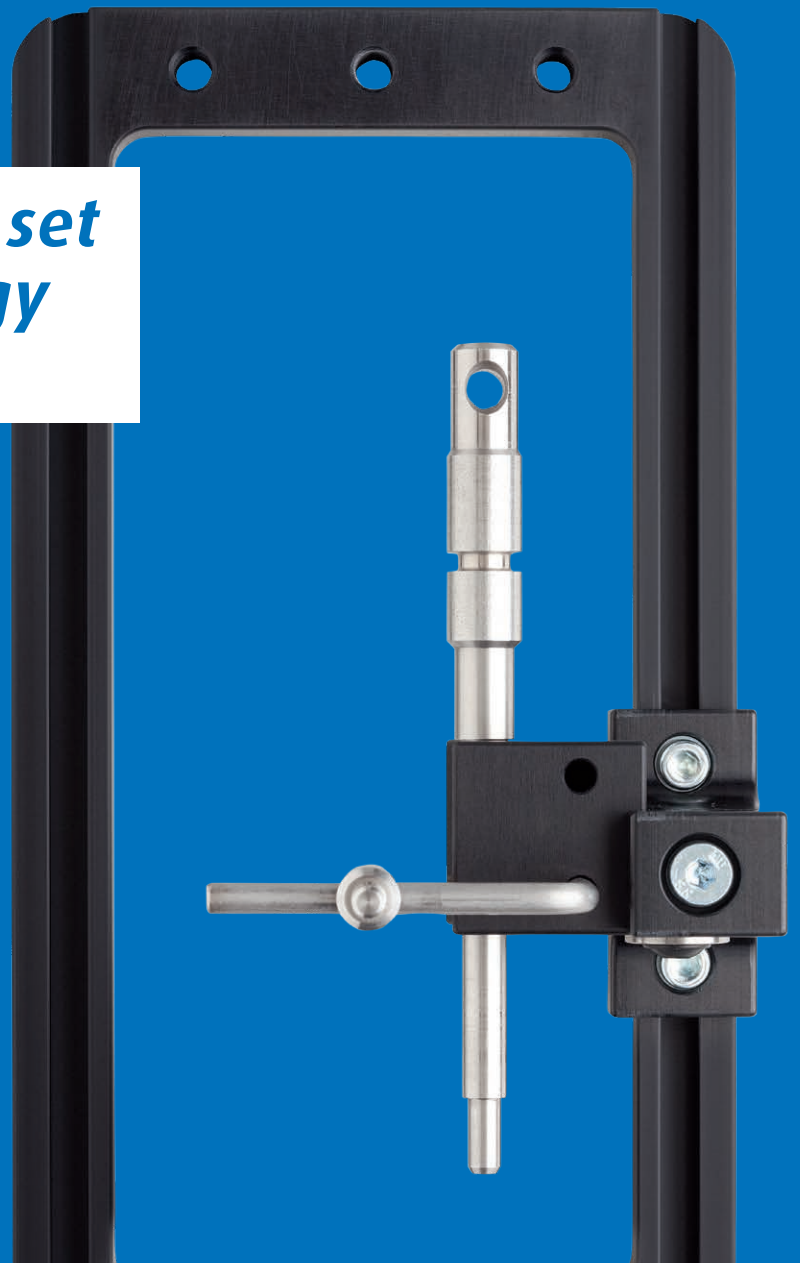


Fixturing systems

*Universal clamping set
for optical metrology
and test devices*



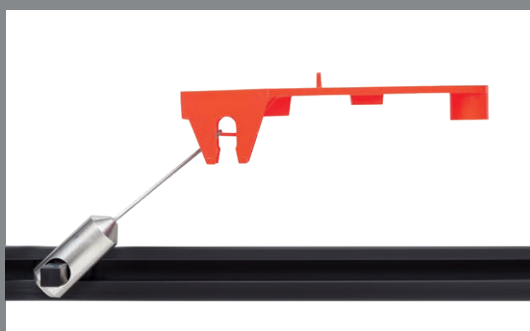
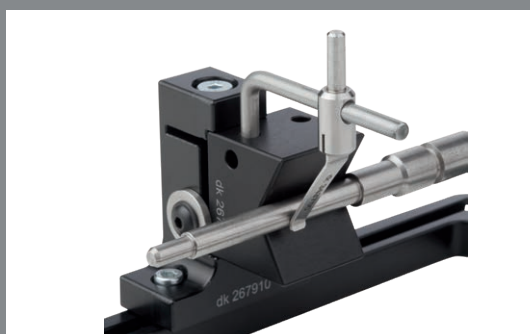
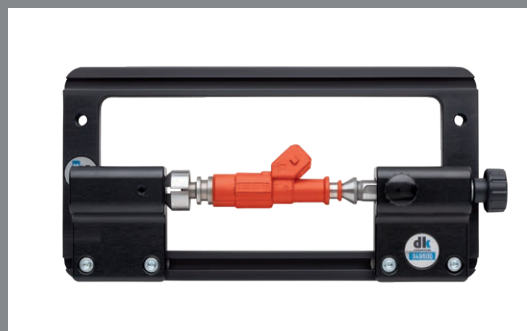
Universal clamping set for optical metrology and test devices

Set with angle base and the essential clamping elements for flexibly and securely holding workpieces during optical measuring operations. Whether with turned, milled, stamped or cast, round, cubic, flat, complex or free-form workpieces - these dk clamping elements guarantee simple and quick positioning and holding for effective and economical use of the measuring equipment.

The plate frames enable setups away from the metrology equipment which increases the OEE.

The clamping set for:

- » *Video measuring systems*
- » *Profile projectors*
- » *Measuring microscopes*
- » *Multi-sensor metrology*





Clamping set (total)

Clamping set

Description	Quantity	Order No.
15 pieces for optical metrology equipment	1	269991



Clamping set (set contents)

1 Subplate

Description	Quantity	Order No.
Size: 195x100 mm, view window: 160x72 mm, with T-slot and M6 fastening thread	1	345821



2 Tailstock pair incl. centres

Description	Quantity	Order No.
Centres Ø12 mm / 60° With slot key	1	349600



3 Hollow centre 90°

Description	Quantity	Order No.
Clamping range 2 - 15 mm, gap width 1 mm, for mounting in tailstock	2	349720



4 Prism support 90°

Description	Quantity	Order No.
For horizontal and vertical mounting of V-blocks, with slot key	1	267910



5 V-block 120° with spring finger

Description	Quantity	Order No.
Clamping range 2-25 mm, mounting on prism support or SWA5 connection	1	267900



6 V-block 120° with magnetic holding

Description	Quantity	Order No.
Clamping range 2-25 mm, mounting on prism support or SWA5 connection	1	268000



7 Rotate/pivot holder

Description	Quantity	Order No.
Centre height: 23 mm, with SWA5 connection	1	314900



8 Small precision chuck

Description	Quantity	Order No.
Internal holding: 0-5 mm, External holding: 5-9 mm, with SWA5 connection	1	283800



9

Small part clamp - offset

Description	Quantity	Order No.
Clamping width: 0-1.6 mm, Clamping breadth: 1.5 mm, with SWA5 connection	1	265700



10

Holder for spring finger

Description	Quantity	Order No.
Length: 30 mm, mounting in T-slot	2	268600



11

Spring finger, round 34 mm

Description	Quantity	Order No.
For vertical clamping, mounting in holder for spring finger	1	269100



12

Column Ø4 mm for spring finger

Description	Quantity	Order No.
With M4 thread. Length: 50 mm, mounting with slot key or directly on measuring table	1	269043



13

Slot key M4

Description	Quantity	Order No.
For Ø4 mm column	1	347700



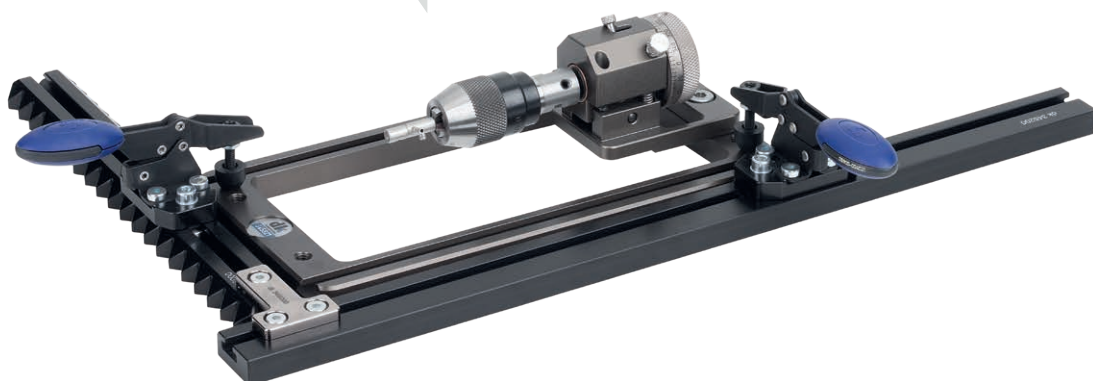
14

Spring finger round 40 mm

Description	Quantity	Order No.
For vertical clamping, mounting on Ø4 mm column for spring finger	1	269038



» Also ideal for use together with dk toothed rail angle system for repetitively accurate zero point positioning. «





The digital version of our catalogue is available here:
www.dk-fixiersysteme.de



The whole world of fixating, clamping and positioning

The ca. 1,000 parts of the comprehensive standard modular system of the dk fixation systems for measurement technology offers the following advantages:

- » Tried and tested modular system that has grown over decades
- » Modularity across different programmes
- » Solutions for every positioning task
- » Economic efficiency through synergy effects of several sector solutions

SWA39



SPANNFIX PRO



SPANNFIX ECO



QUADERFIX



SCHIENENFIX



MICROFIX



SWA39CT



SPEZIALFIX



ARTICULATED SYSTEMS



SWA39 SURF



dk FIXIERSYSTEME GmbH & Co. KG
 Ferdinand-Lassalle-Straße 35
 72770 Reutlingen, Germany

Tel. +49 (0) 7121 90 97 10
 Fax +49 (0) 7121 90 97 120
 info@dk-fixiersysteme.de
 www.dk-fixiersysteme.de

modular. simple. better.



**FAST
 REASSEMBLY
 LIFELONG**

The basic principle of all dk fixating systems!

Our modular fixtures can be effortlessly disassembled and precisely reassembled at any time. The compatibility of the fixturing systems make the utility value perfect..